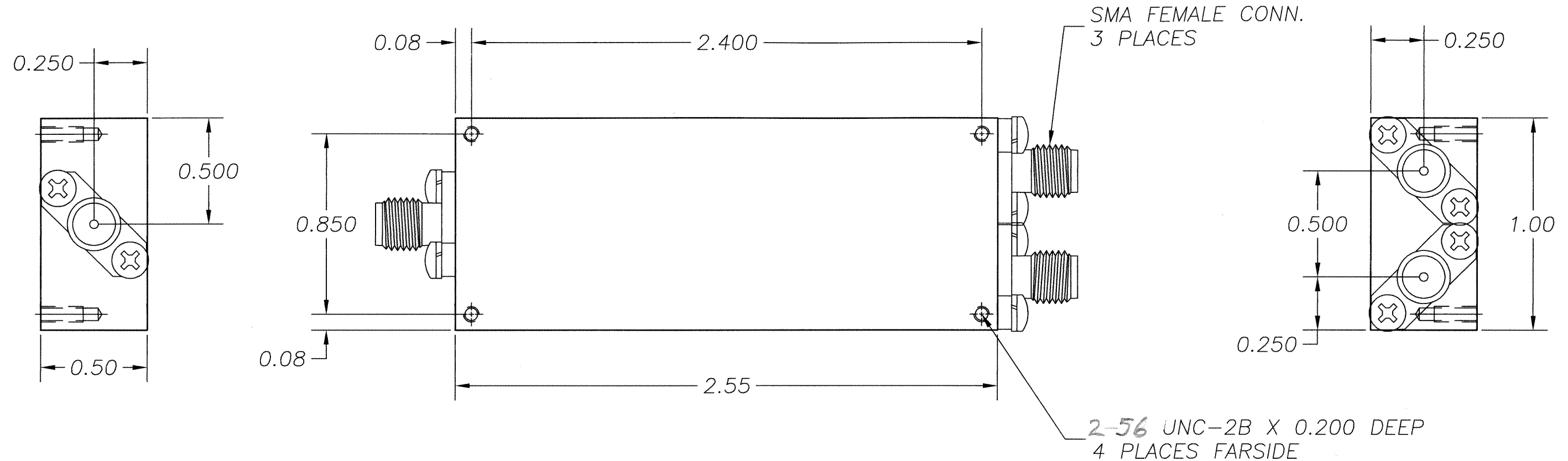


THIS DOCUMENT CONTAINS INFORMATION PROPRIETARY TO DELTA MICROWAVE. ANY REPRODUCTION OF THIS DOCUMENT WITHOUT WRITTEN PERMISSION IS EXPRESSLY PROHIBITED.

REVISIONS				
ZONE	REV	DESCRIPTION	DATE	APPROVED
	A	RELEASED	09/28/98	<i>[Signature]</i>



2. MARKING: USING BLACK WARNOW INK TO INCLUDE:  
DELTA MICROWAVE, MODEL NO., SERIAL NO.,  
CODE IDENT. NO. 51719 AND DATE CODE

1: FINISH: HAZE GRAY EPOXY POLYAMIDE TOPCOAT  
PER MIL-P-24441B TYP.1  
(AS)COLOR NO.26270, FORMULA 151  
PER MIL-P-24441/1C, QPL 24441-103  
USING EPOXY POLYAMIDE PRIMER  
PER MIL-P-24441B TYP.1 24272 GREEN  
FORMULA 150 PER MIL-P-24441/1C, QPL 24441-103

NOTES:

QTY REQD	CODE IDENT	PART OR IDENTIFYING NO.	NOMENCLATURE OR DESCRIPTION	MATERIAL SPECIFICATION
PARTS LIST				
UNLESS OTHERWISE SPECIFIED DIMENSIONS ARE IN INCHES TOLERANCES ARE: FRACTIONS    DECIMALS    ANGLES +                .xx ±.01    + -                .xxx ±.005    -		CONTRACT NO. X5510	<b>DELTA microwave</b> 1301 VANGUARD DR. OXNARD CALIFORNIA 93033	
		APPROVALS	DATE	TITLE
		DRAWN D.F. ESTABROOK	09/28/98	OUTLINE
		CHECKED <i>[Signature]</i>	9/28/98	
		APPROVED <i>[Signature]</i>	9/28/98	
MATERIAL		FINISH	SIZE	CODE IDENT NO.
		X5510	B	51719
USED ON MODEL#		DO NOT SCALE DRAWING	SCALE 2/1	DRAWING NO. X5510
			SHEET 1 OF 1	