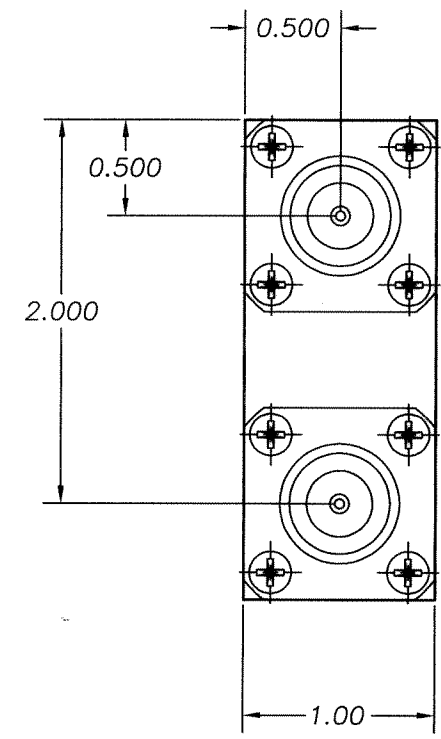
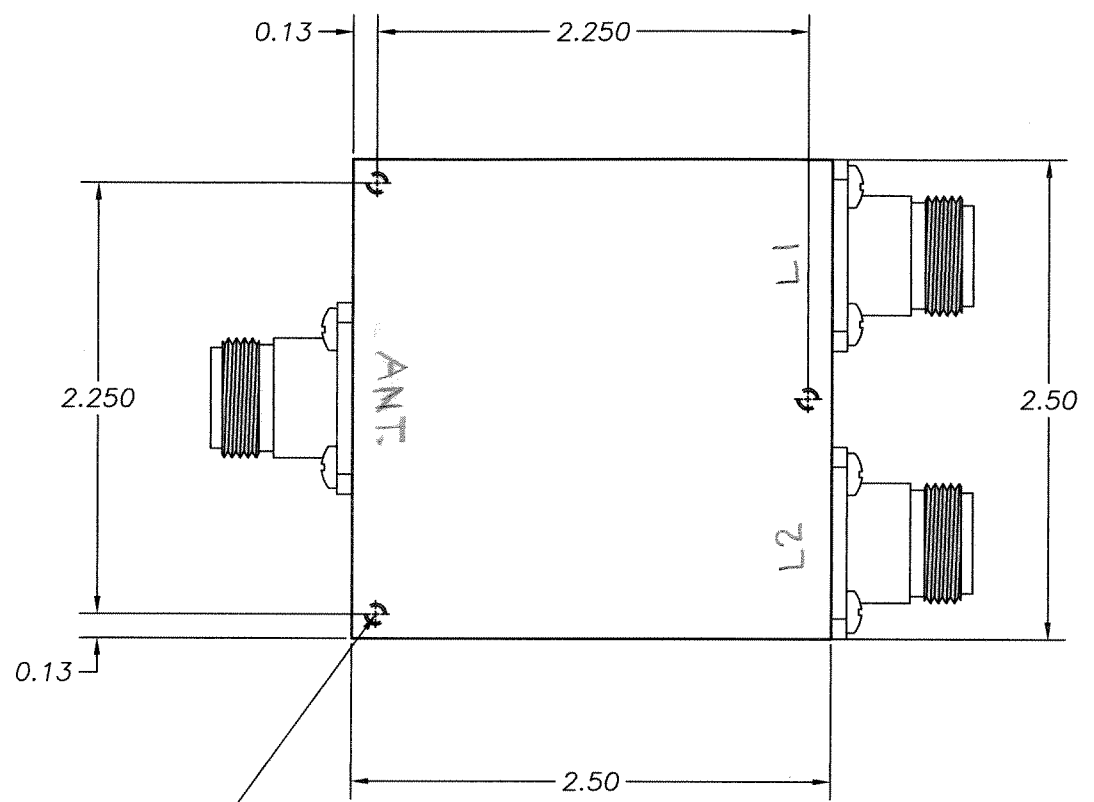
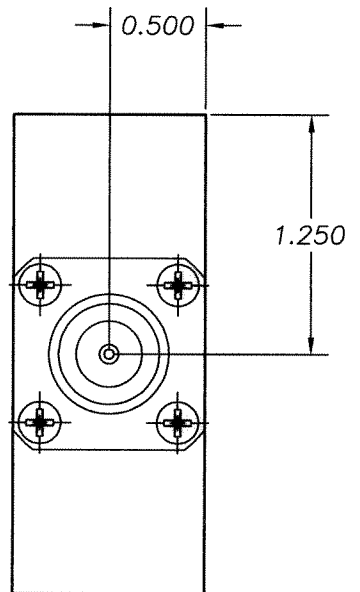


THIS DOCUMENT CONTAINS INFORMATION PROPRIETARY TO DELTA MICROWAVE. ANY REPRODUCTION OF THIS DOCUMENT WITHOUT WRIT- TEN PERMISSION IS EXPRESSLY PROHIBITED.

| REVISIONS | | | | |
|-----------|-----|-------------|----------|----------|
| ZONE | REV | DESCRIPTION | DATE | APPROVED |
| | A | RELEASED | 09/17/98 | |



2. MARKING: USING BLACK WARNOW INK TO INCLUDE: DELTA MICROWAVE, MODEL NO., SERIAL NO., CODE IDENT. NO. 51719 AND DATE CODE

1: FINISH: HAZE GRAY EPOXY POLYAMIDE TOPCOAT PER MIL-P-24441B TYP.1 (AS) COLOR NO.26270, FORMULA 151 PER MIL-P-24441/1C, QPL 24441-103 USING EPOXY POLYAMIDE PRIMER PER MIL-P-24441B TYP.1 24272 GREEN FORMULA 150 PER MIL-P-24441/1C, QPL 24441-103

NOTES:

| QTY REQD | CODE IDENT | PART OR IDENTIFYING NO. | NOMENCLATURE OR DESCRIPTION | MATERIAL SPECIFICATION |
|---|------------|-------------------------|---|-------------------------|
| PARTS LIST | | | | |
| UNLESS OTHERWISE SPECIFIED DIMENSIONS ARE IN INCHES TOLERANCES ARE: FRACTIONS DECIMALS ANGLES + .XX ±.03 ± - .XXX ±.010 - | | CONTRACT NO. C5310 | DELTA MICROWAVE 1301 VANGUARD DR. OXNARD CALIFORNIA 93033 | |
| MATERIAL | | APPROVALS | DATE | TITLE OUTLINE |
| FINISH | | DRAWN D.F. ESTABROOK | 09/17/98 | SIZE B |
| USED ON MODEL# C5310 | | CHECKED | | CODE IDENT NO. 51719 |
| DO NOT SCALE DRAWING | | APPROVED | | DRAWING NO. C5310 |
| | | | SCALE FULL | SHEET 1 OF 1 |