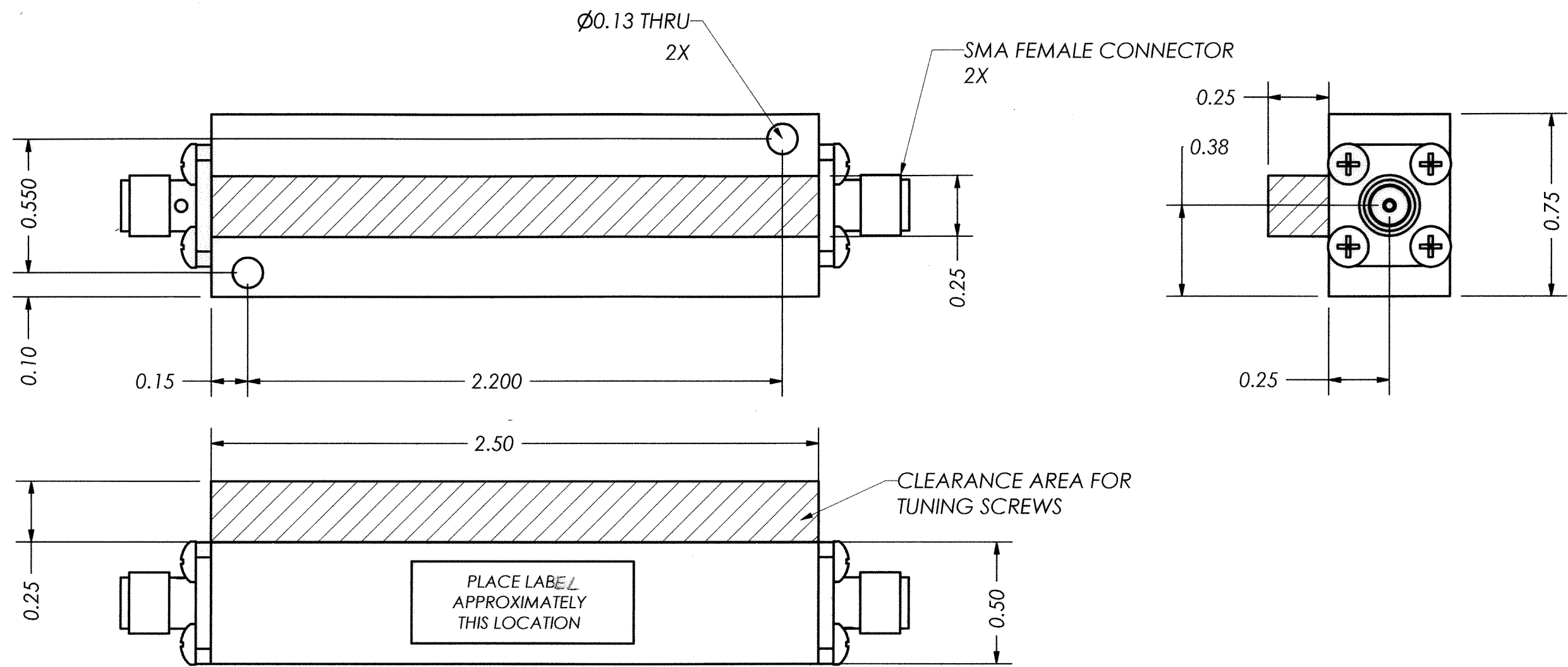


THIS DOCUMENT CONTAINS INFORMATION PROPRIETARY TO DELTA MICROWAVE. ANY REPRODUCTION WITHOUT WRITTEN PERMISSION IS EXPRESSLY PROHIBITED.

ZONE	REV	DESCRIPTION	DATE	APPROVED
	A	FIRST RELEASE	08/28/03	



2. MARKING: USING CLEAR LABEL WITH BLACK CHARACTERS TO INCLUDE
 DELTA MICROWAVE, MODEL NO., SERIAL NO.
 CODE IDENT. NO. 51719 AND DATE CODE

1. FINISH: HAZE GRAY EPOXY POLYAMIDE TOPCOAT
 PER MIL-P-24441B TYP. 1
 (AS) COLOR NO. 26270, FORMULA 151
 PER MIL-P-24441/1C, QPL 24441-103
 USING EPOXY POLYAMID PRIMER
 PER MIL-P-2441B TYP. 1 24272 GREEN
 FORMULA 150 PER MIL-P-24441/1C, QPL 24441-103

NOTES:

UNLESS OTHERWISE SPECIFIED DIMENSIONS ARE IN INCHES TOLERANCES ARE: FRACTIONS DECIMALS ANGLES + .xx ± .03 + - .xxx ± .010 -		CONTRACT NO. X3906	DELTA MICROWAVE 1301 VANGUARD DRIVE OXNARD, CA 93033	
APPROVALS		DATE	TITLE	
DRAWN D.F. ESTABROOK		08/23/08	X3906 OUTLINE	
MATERIAL		CHECKED M. JUE	8/29/08	
FINISH		APPROVED	8/29/08	
USED ON MODEL#	DO NOT SCALE DRAWING	SIZE B	CODE IDENT NO. 51719	DWG NO. X3906
		SCALE 2:1	SHEET 1	OF 1