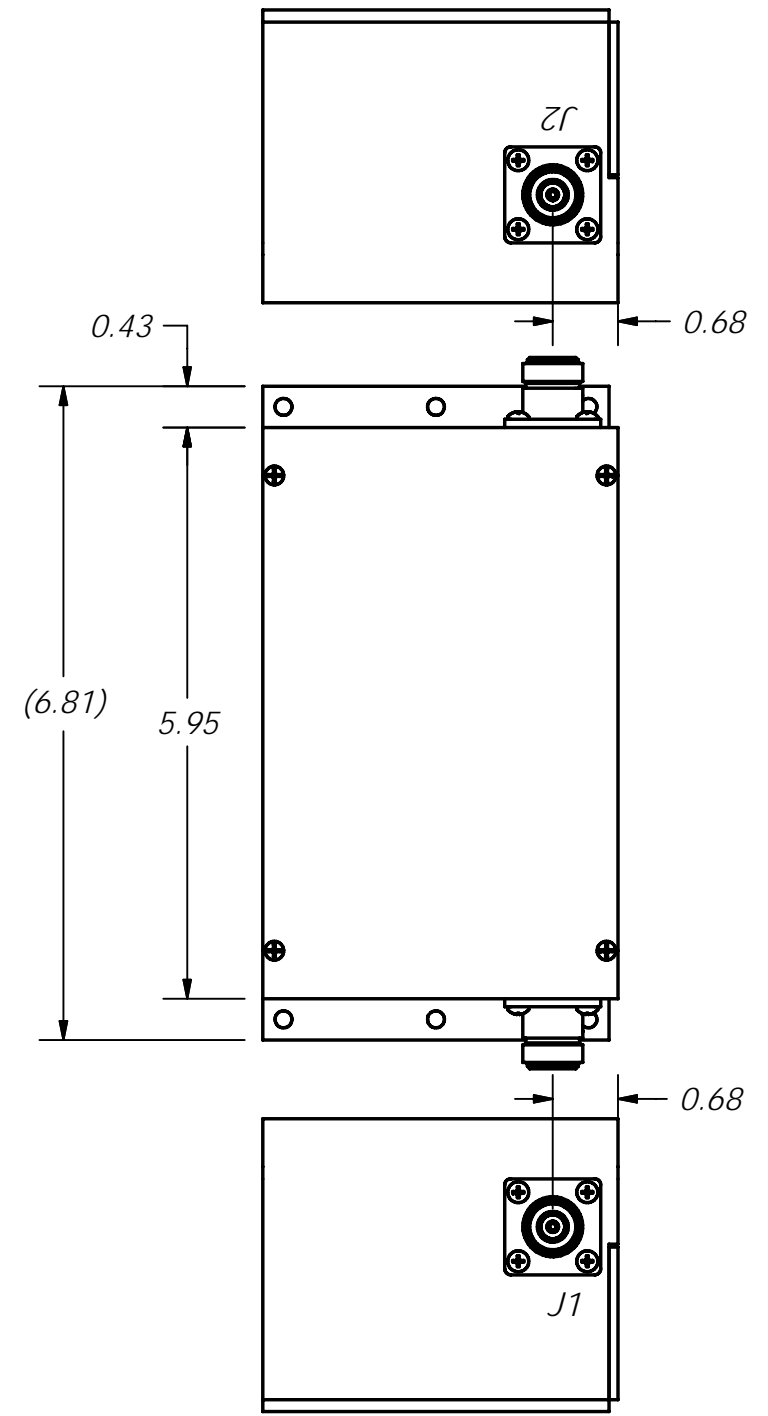
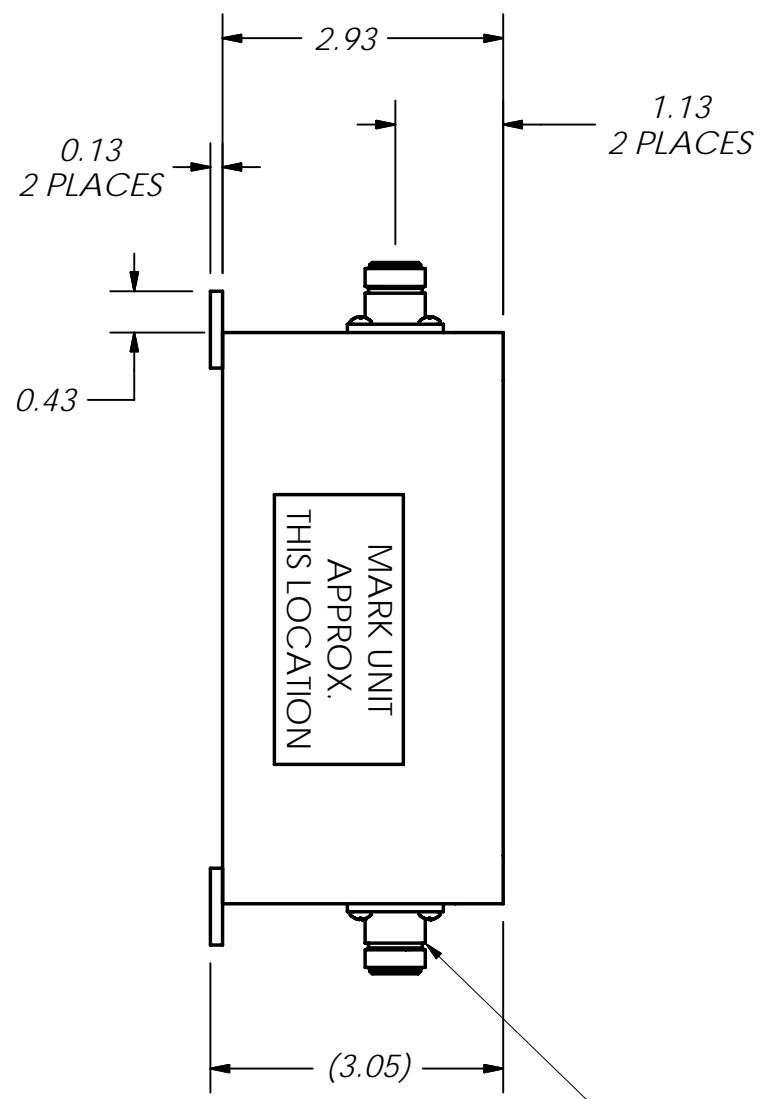
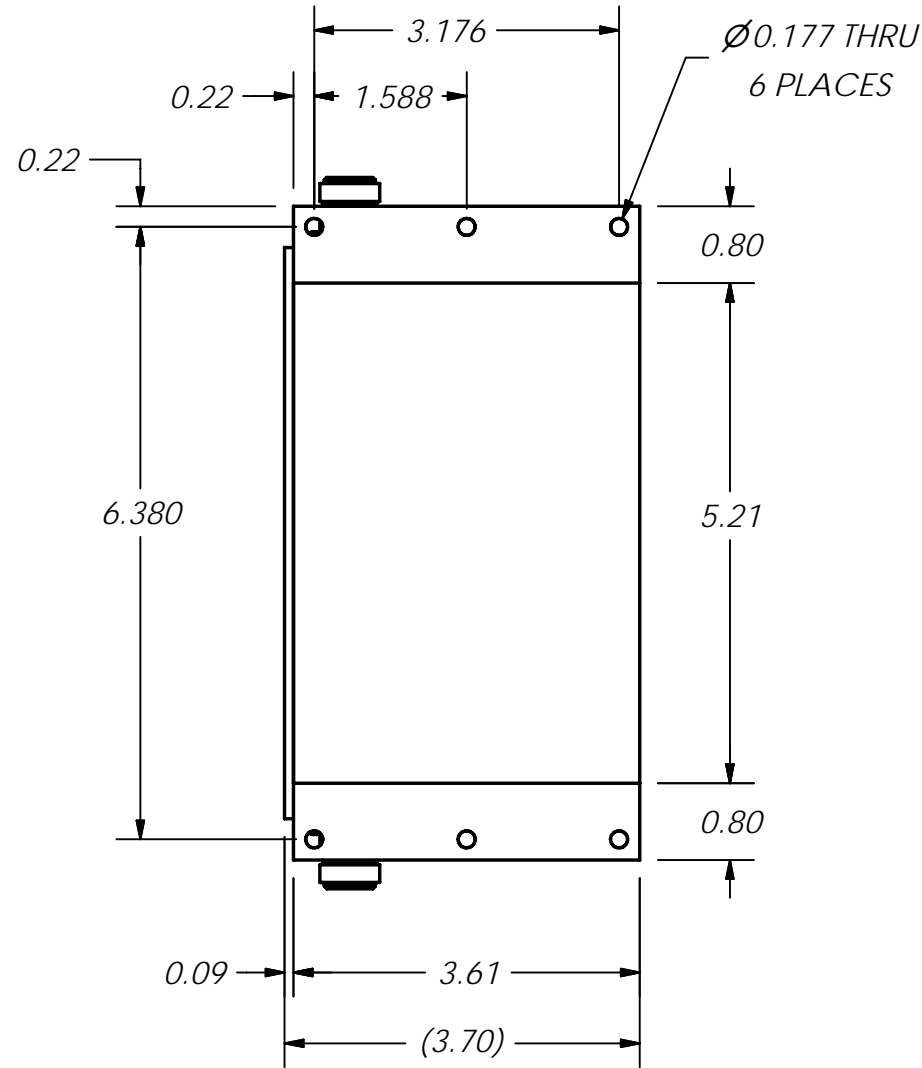


THIS DOCUMENT CONTAINS INFORMATION PROPRIETARY TO DELTA MICROWAVE. ANY REPRODUCTION WITHOUT WRITTEN PERMISSION IS EXPRESSLY PROHIBITED.

ZONE	REV	DESCRIPTION	DATE	APPROVED
	B	ECO#107134	02/20/07	




2. MARKING: USING LABEL OR BLACK WORNOW INK TO INCLUDE:
 DELTA MICROWAVE, MODEL NO., SERIAL NO.,
 CODE IDENT. NO. 51719 AND DATE CODE

1: FINISH: PRIME USING EPOXY PRIMER MIL-PRF-23377, TYPE II, CLASS C,
 TO A DRY FILM THICKNESS OF .0006 TO .0009.

PAINT USING "CARC" POLYURETHANE PAINT PER MIL-DTL-64159, TYPE II
 TO A DRY FILM THICKNESS OF .0018 MIN.
 COLOR: GREEN 383 COLOR NO 34094 PER FED-STD-595

NOTES:

UNLESS OTHERWISE SPECIFIED DIMENSIONS ARE IN INCHES TOLERANCES ARE: FRACTIONS DECIMALS ANGLES + .xx ± .03 + - .xxx ± .010 -	CONTRACT NO.	U5998	
	APPROVALS	DATE	
	DRAWN	J.A. DE HORTA	02/20/07
	REVIS		
MATERIAL	CHECKED		
FINISH	APPROVED		
USED ON MODEL#	DO NOT SCALE DRAWING		

 Delta Microwave Inc. 1301 VANGUARD DRIVE OXNARD, CA 93033		
TITLE		
U5998 OUTLINE		
SIZE	CODE IDENT NO.	DWG NO
B	51719	U5998
SCALE 1/2	SHEET 1	OF 1