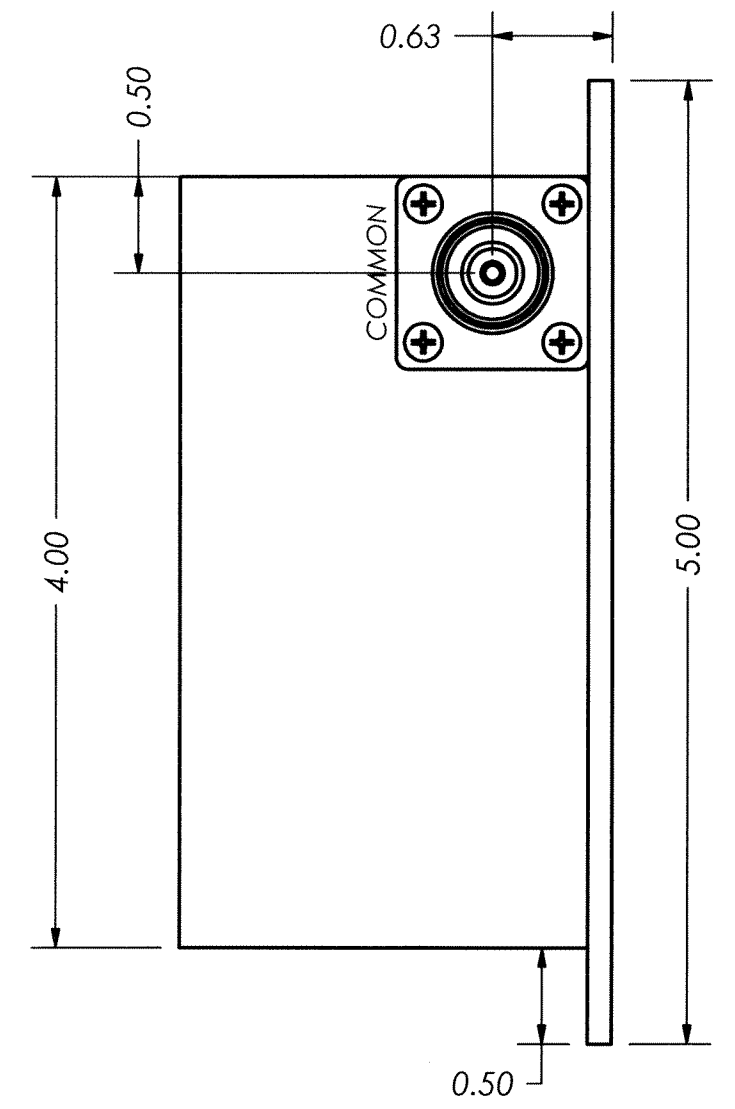
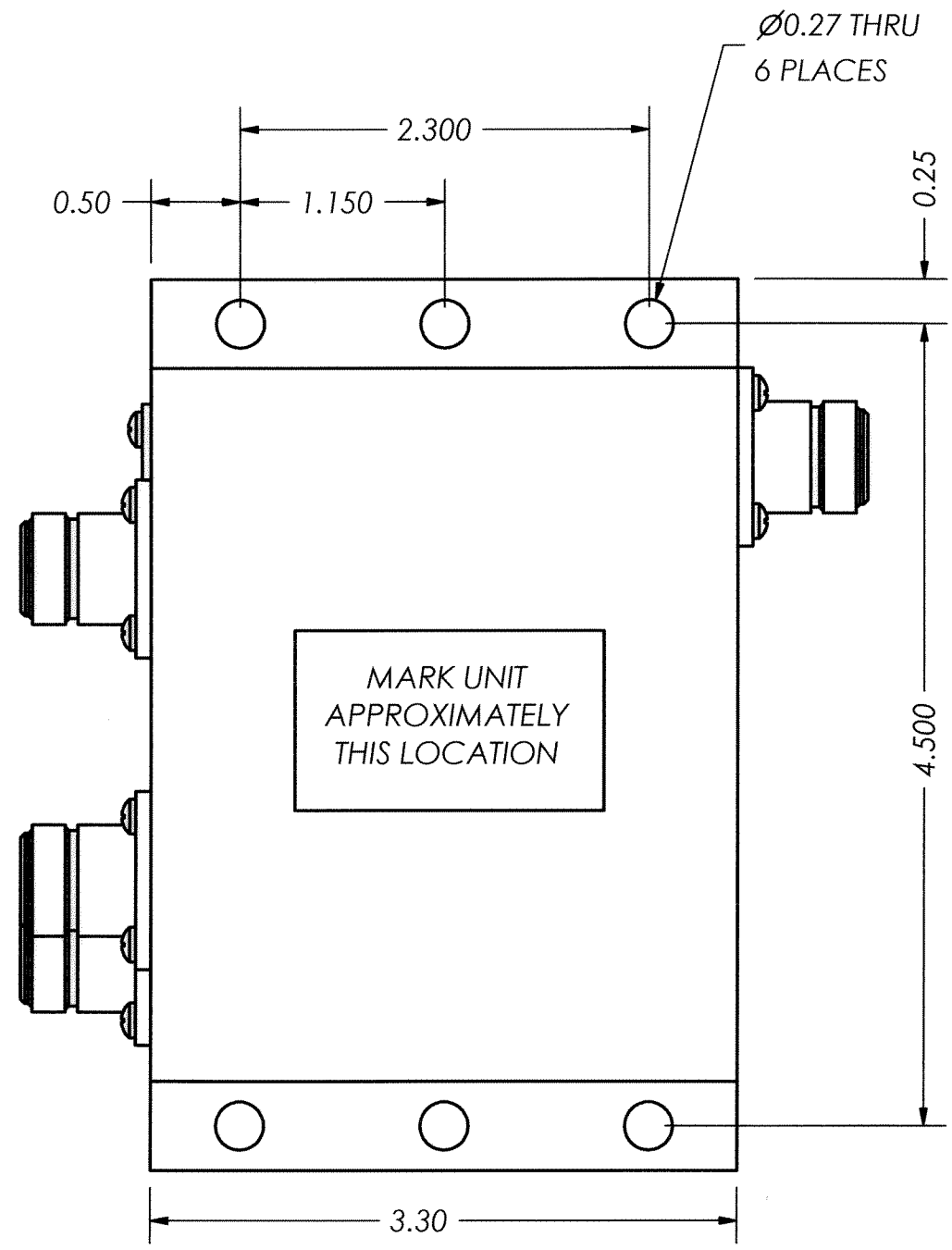
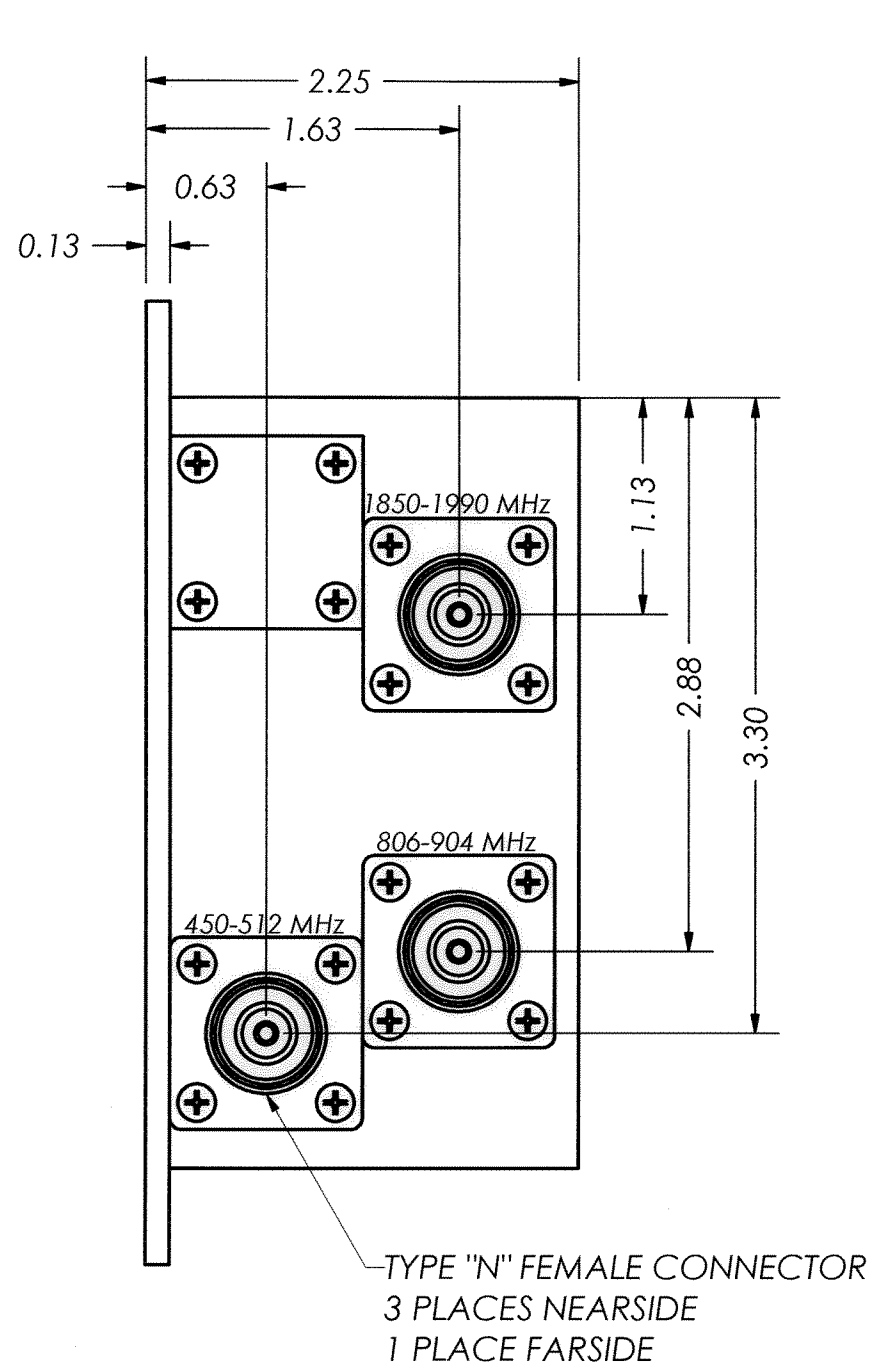


THIS DOCUMENT CONTAINS INFORMATION PROPRIETARY TO DELTA MICROWAVE. ANY REPRODUCTION WITHOUT WRITTEN PERMISSION IS EXPRESSLY PROHIBITED.

ZONE	REV	DESCRIPTION	DATE	APPROVED
	A	FIRST ENG. RELEASE	10/27/04	<i>[Signature]</i>



2. MARKING: USING LABEL OR BLACK WARNOW INK TO INCLUDE:
DELTA MICROWAVE, MODEL NO., SERIAL NO.,
CODE IDENT. NO. 51719 AND DATE CODE

1: FINISH: HAZE GRAY EPOXY POLYAMIDE TOPCOAT
PER MIL-DTL-24441C, SUP. 1
MIL-DTL-24441/21, TYP 3, FORMULA 151
USING GREEN EPOXY POLYAMIDE PRIMER
MIL-DTL-24441/20, TYP 3, FORMULA 150

NOTES:

UNLESS OTHERWISE SPECIFIED DIMENSIONS ARE IN INCHES TOLERANCES ARE: FRACTIONS DECIMALS ANGLES + .xx ± .03 + - .xxx ± .010 -			CONTRACT NO. U5989	
APPROVALS		DATE		
DRAWN J.A. DEHORTA		10/26/04		
REVISED D.F. ESTABROOK		10/27/04		
CHECKED <i>[Signature]</i>		10/27/04		
APPROVED <i>[Signature]</i>				
MATERIAL		FINISH		
USED ON MODEL#		DO NOT SCALE DRAWING		

Delta Microwave Inc.
1301 VANGUARD DRIVE OXNARD, CA 93033

U5989 OUTLINE

SIZE	CODE IDENT NO.	DWG NO.
B	51719	U5989
SCALE 1/2	SHEET 1	OF 1