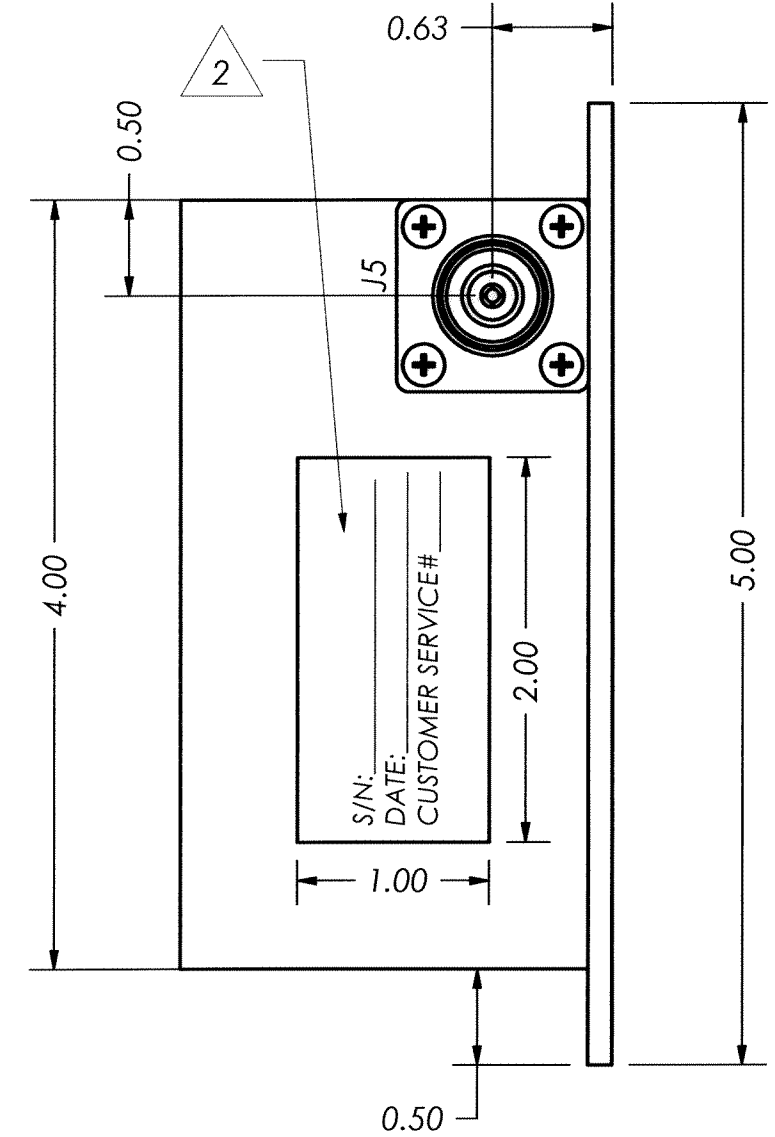
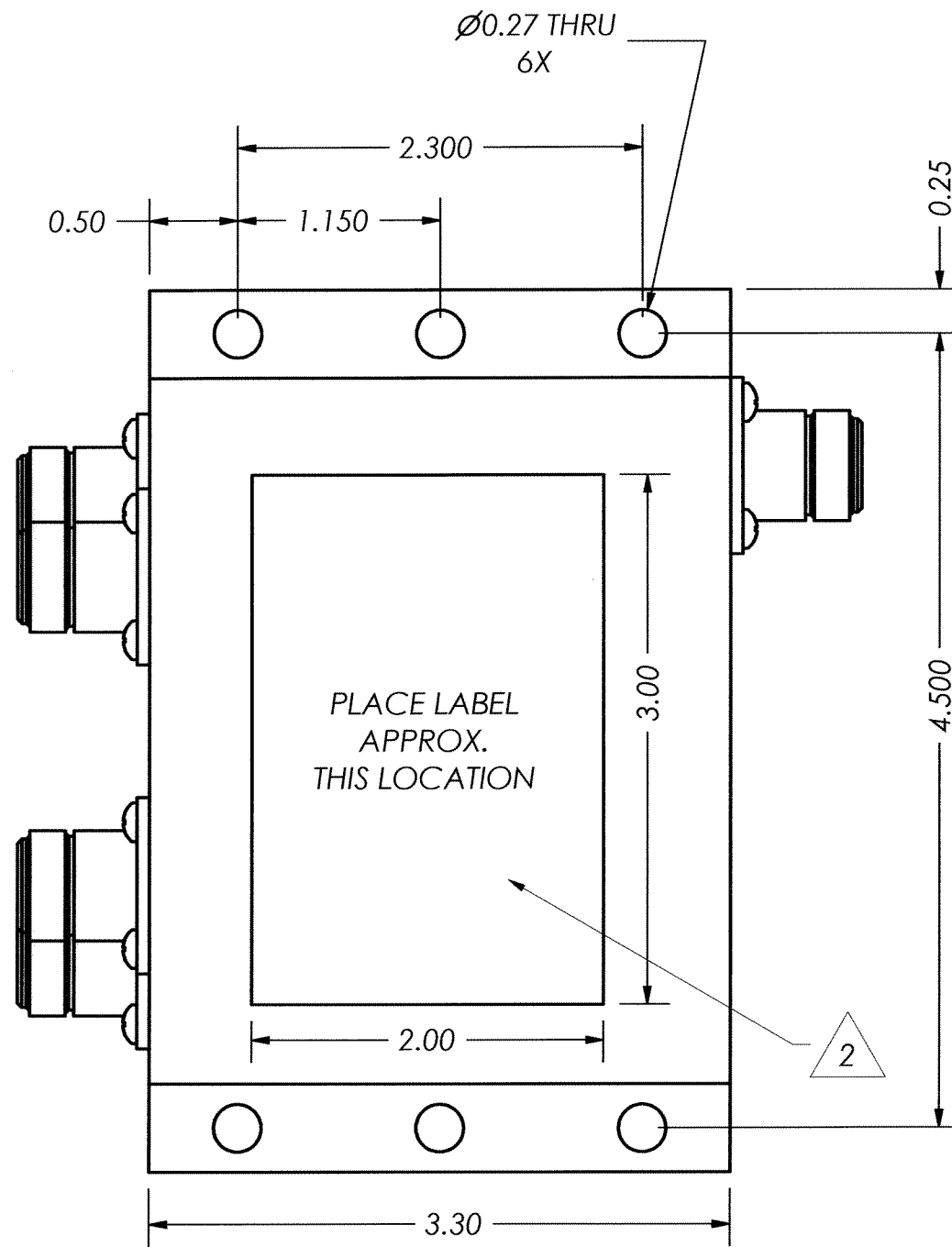
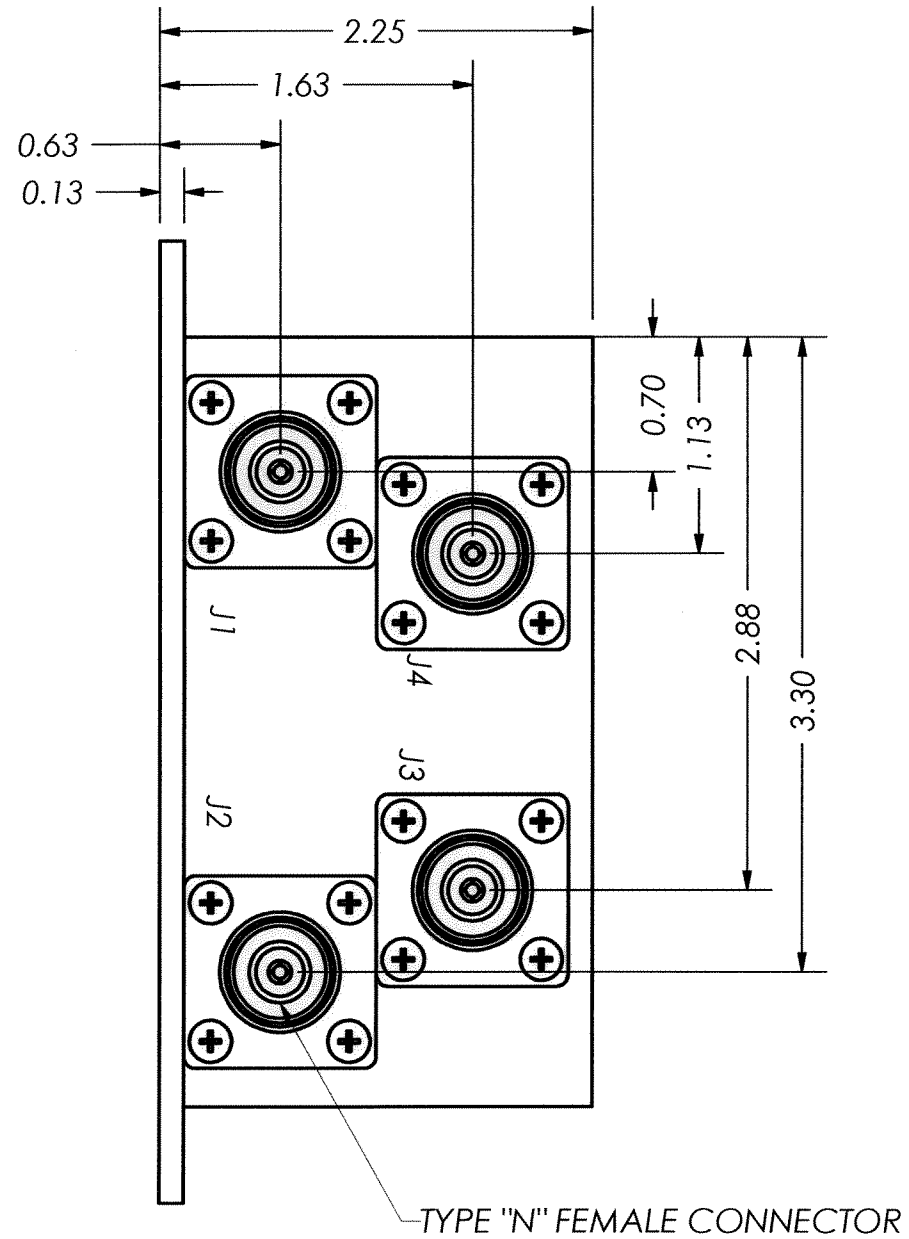


THIS DOCUMENT CONTAINS INFORMATION PROPRIETARY TO DELTA MICROWAVE. ANY REPRODUCTION WITHOUT WRITTEN PERMISSION IS EXPRESSLY PROHIBITED.

ZONE	REV	DESCRIPTION	DATE	APPROVED
	A	FIRST ENG. RELEASE	03/17/04	D.R.B.
	B	MOVE CONNECTOR CHANGE FINISH	03/30/04	D.R.B.
	C	ECO#106439	05/13/04	D.R.B.
	D	ECO#106460	06/02/04	<i>[Signature]</i>



2. LABELS TO BE SUPPLIED BY S.T.I.  
1: FINISH: BLACK PAINT  
NOTES:

UNLESS OTHERWISE SPECIFIED DIMENSIONS ARE IN INCHES TOLERANCES ARE:  
FRACTIONS DECIMALS ANGLES  
+ .xx ± .03 +  
- .xxx ± .010 -

CONTRACT NO. U5988	
APPROVALS	DATE
DRAWN D.F.ESTABROOK	03/17/04
REVISED J.A.DEHORTA	05/14/04
CHECKED <i>[Signature]</i>	6/2/04
APPROVED <i>[Signature]</i>	6/1/04

**Delta Microwave Inc.**  
1301 VANGUARD DRIVE OXNARD, CA 93033

**U5988 OUTLINE**

SIZE B	CODE IDENT NO. 51719	DWG NO. U5988
SCALE 1:2		SHEET 1 OF 1

USED ON MODEL#	DO NOT SCALE DRAWING
----------------	----------------------