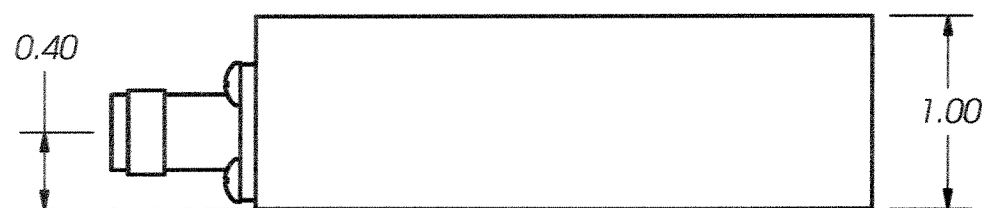
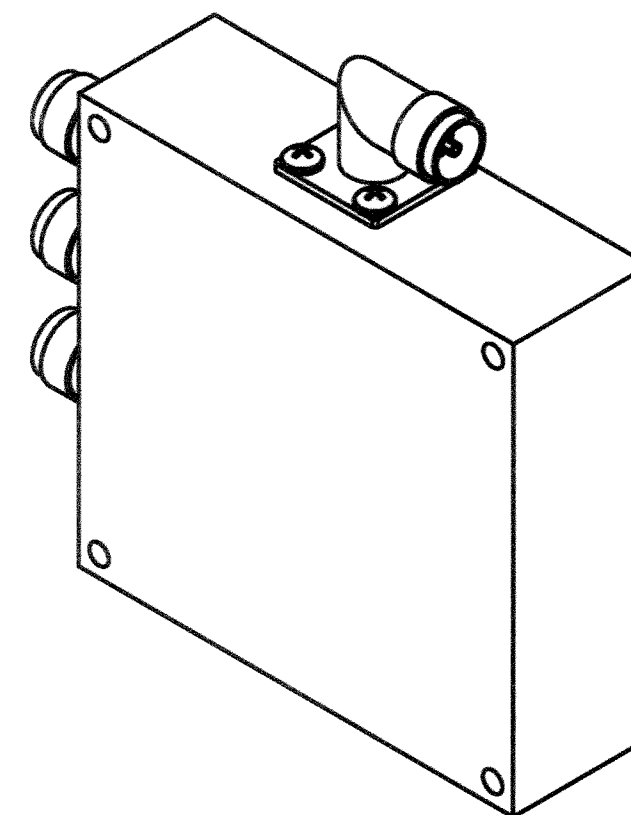
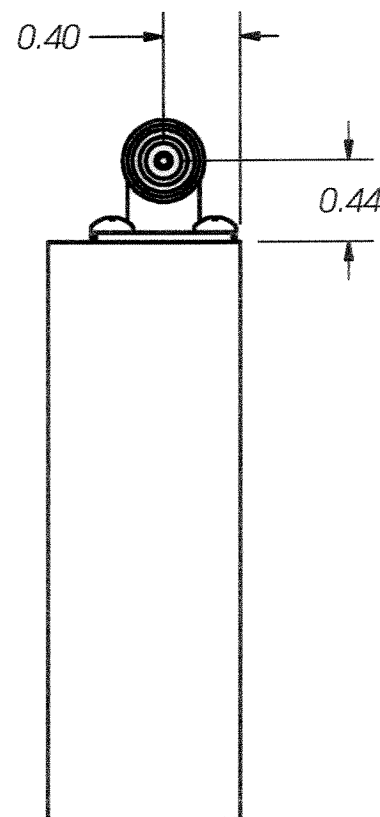
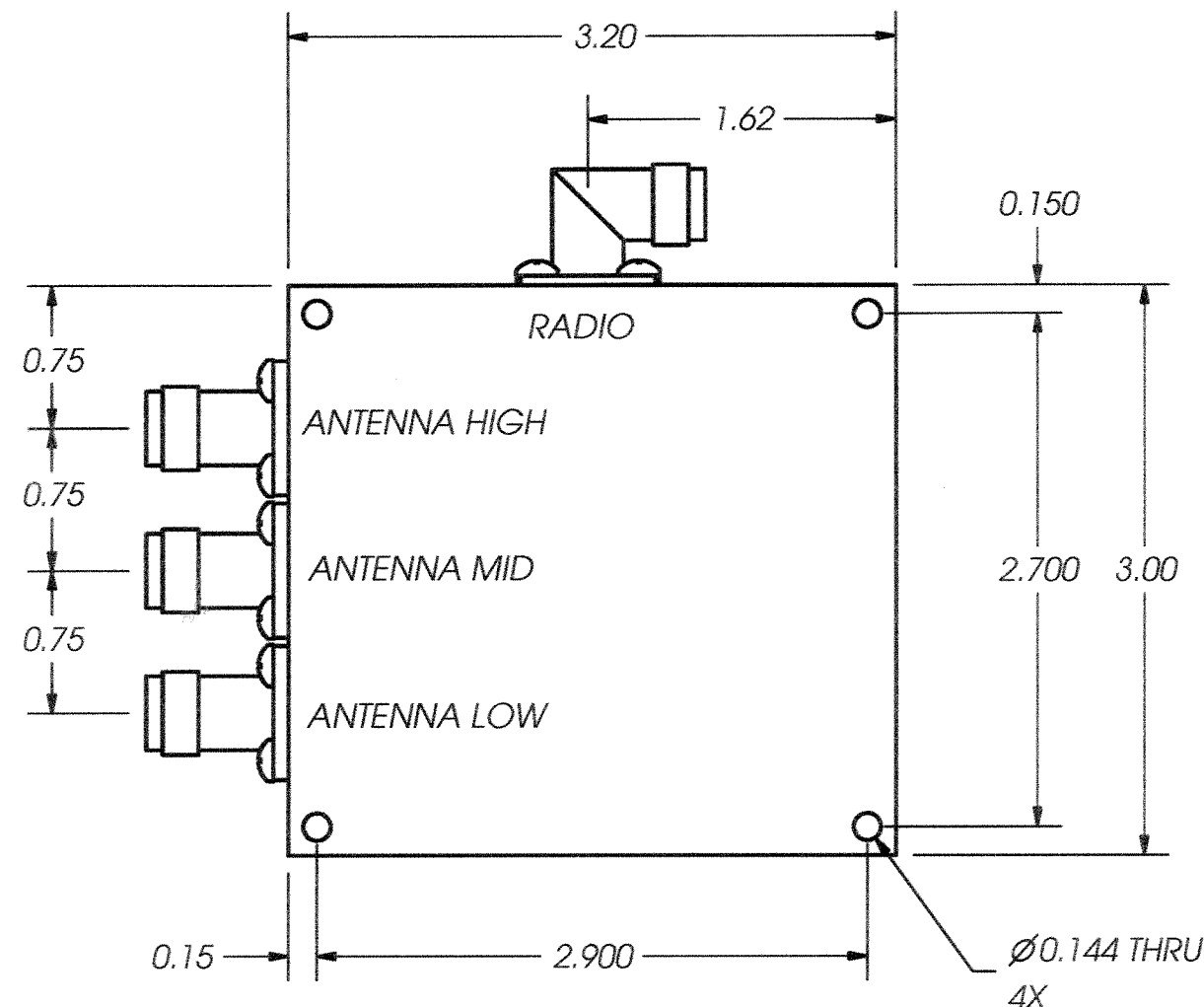


THIS DOCUMENT CONTAINS INFORMATION PROPRIETARY TO DELTA MICROWAVE. ANY REPRODUCTION WITHOUT WRITTEN PERMISSION IS EXPRESSLY PROHIBITED.

ZONE	REV	DESCRIPTION	DATE	APPROVED
	A	INITIAL RELEASE	07/31/03	R.E.S.
	B	ECO#106224	08/06/03	D.R.B.
	C	ECO#106333	01/23/04	<i>[Signature]</i>



2. MARKING: USING LABEL OR BLACK WARMOW INK TO INCLUDE:
R.A. MILLER INDUSTRIES INC, RAMI850011-4A, SERIAL NO.,
CODE IDENT. NO. 05211 AND DATE CODE

1. FINISH: GREEN ALIPHATIC POLYURETHANE COATING
PER MIL-C-53039 COLOR GREEN 383
(COLOR No. 34094 per FED-STD-595)
USING STRONTIUM CHROMATE PRIMER
PER MIL-P-23377 TYPE1, CLASS 3

NOTES:

UNLESS OTHERWISE SPECIFIED
DIMENSIONS ARE IN INCHES
TOLERANCES ARE:
FRACTIONS DECIMALS ANGLES
+ .xx ± .01 +
- .xxx ± .005 -

CONTRACT NO. U5987

APPROVALS DATE

DRAWN D.R.BOWLER 07/31/03

REVISED J.A.DE HORTA 01/23/04

CHECKED *[Signature]* 1/29/04

APPROVED *[Signature]* 1/29/04

MATERIAL

FINISH

USED ON MODEL#

DO NOT SCALE DRAWING



Delta Microwave Inc.

1301 VANGUARD DRIVE OXNARD, CA 93033

TITLE

U5987 OUTLINE

SIZE

B

CODE IDENT NO.

51719

DWG NO.

U5987

SCALE 1:1

SHEET

1 OF

1