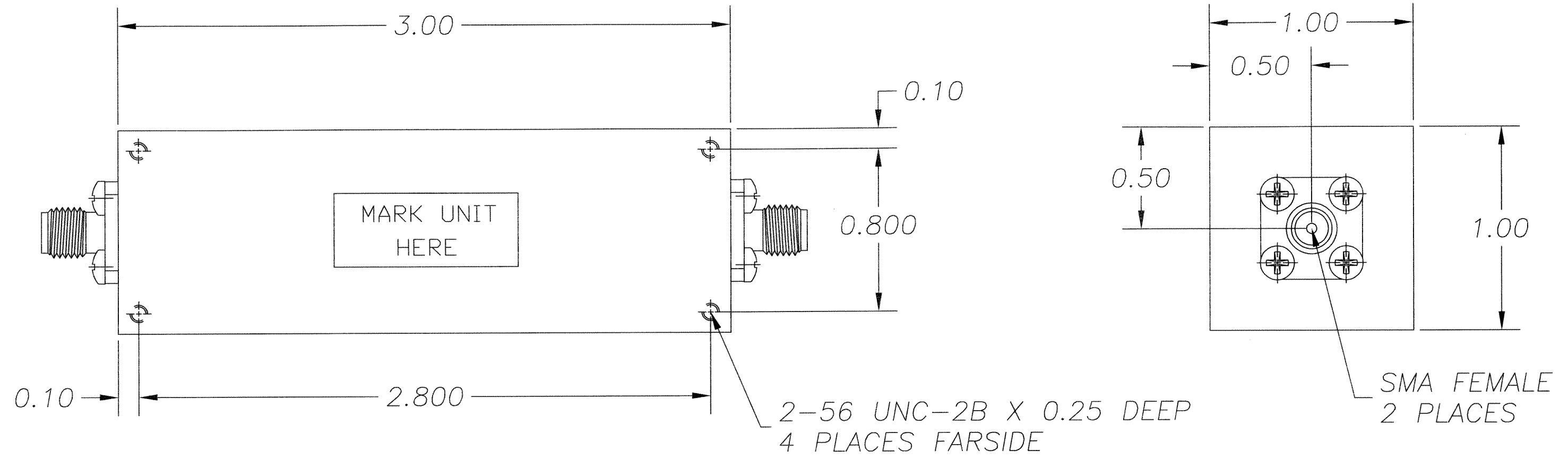


THIS DOCUMENT CONTAINS INFORMATION PROPRIETARY TO DELTA MICROWAVE. ANY REPRODUCTION OF THIS DOCUMENT WITHOUT WRITTEN PERMISSION IS EXPRESSLY PROHIBITED.

REVISIONS				
ZONE	REV	DESCRIPTION	DATE	APPROVED
	A	RELEASED	09/22/99	<i>[Signature]</i>
	B	CHANGE MARKING PER CUSTOMER REQUEST	09/23/99	<i>[Signature]</i>



2. MARKING: USING BLACK WARNOW INK TO INCLUDE:
 DELTA MICROWAVE, LOWPASS FILTER 300 MHZ., SERIAL NO.,
 CODE IDENT. NO. 51719 AND DATE CODE

1: FINISH: HAZE GRAY EPOXY POLYAMIDE TOPCOAT
 PER MIL-P-24441B TYP.1
 (AS) COLOR NO.26270, FORMULA 151
 PER MIL-P-24441/1C, QPL 24441-103
 USING EPOXY POLYAMIDE PRIMER
 PER MIL-P-24441B TYP.1 24272 GREEN
 FORMULA 150 PER MIL-P-24441/1C, QPL 24441-103

NOTES:

QTY REQD	CODE IDENT	PART OR IDENTIFYING NO.	NOMENCLATURE OR DESCRIPTION	MATERIAL SPECIFICATION
PARTS LIST				
UNLESS OTHERWISE SPECIFIED DIMENSIONS ARE IN INCHES TOLERANCES ARE: FRACTIONS DECIMALS ANGLES + .xx ±.01 + - .xxx ±.005 -		CONTRACT NO. U3930	DELTA microwave	DELTA MICROWAVE 1301 VANGUARD DR. OXNARD CALIFORNIA 93033
MATERIAL		APPROVALS	DATE	TITLE
FINISH		DRAWN D.F. ESTABROOK	09/22/99	OUTLINE
USED ON MODEL#		CHECKED <i>[Signature]</i>	9/23/99	
U3930		APPROVED <i>[Signature]</i>	09/23/99	SIZE B
DO NOT SCALE DRAWING		CODE IDENT NO. 51719		DRAWING NO. U3930
SCALE 2/1			SHEET 1 OF 1	