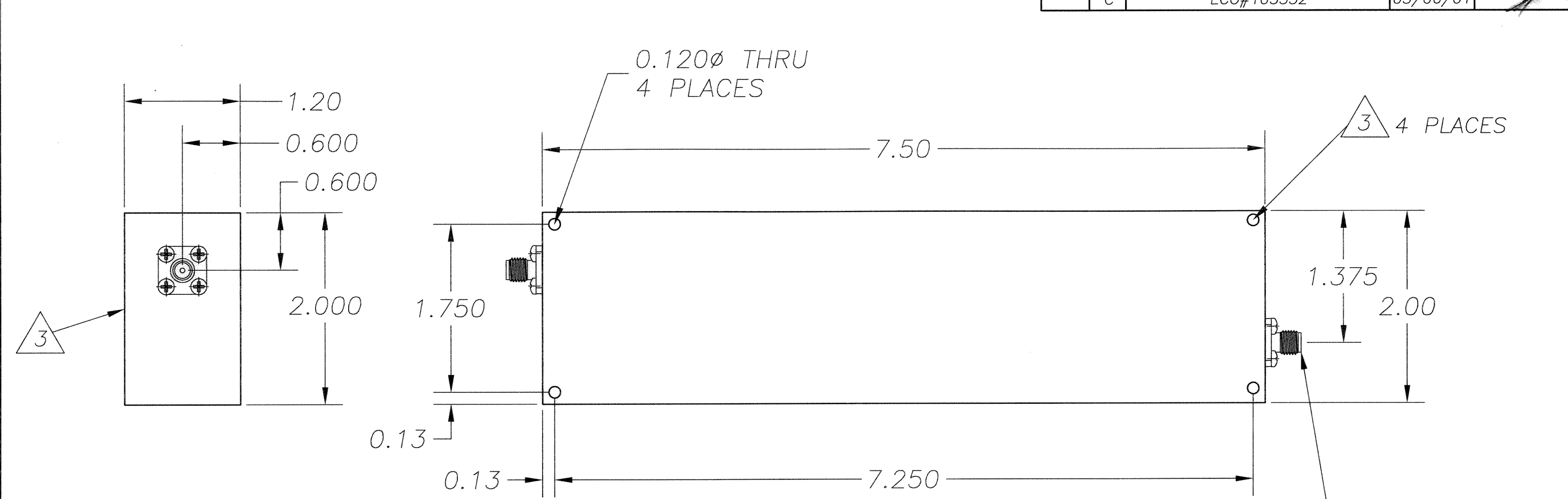


THIS DOCUMENT CONTAINS INFORMATION PROPRIETARY TO DELTA MICROWAVE. ANY REPRODUCTION OF THIS DOCUMENT WITHOUT WRITTEN PERMISSION IS EXPRESSLY PROHIBITED.

REVISIONS				
ZONE	REV	DESCRIPTION	DATE	APPROVED
	A	RELEASED	08/20/98	R.E.S.
	B	ECO#104655	12/22/98	R.E.S.
	C	ECO#105532	03/06/01	



- 3. MOUNTING SURFACE AND INSIDE OF MTG. HOLES TO REMAIN FREE OF PAINT
- 2. MARKING: USING BLACK WARNOW INK TO INCLUDE: DELTA MICROWAVE, MODEL NO., SERIAL NO., CODE IDENT. NO. 51719 AND DATE CODE

1: FINISH: SEA FOAM GREEN EPOXY POLYAMIDE TOPCOAT PER MIL-P-22750E (AS) COLOR NO.24533 PER FED-STD-595B USING EPOXY POLYAMIDE PRIMER PER MIL-P-24441B TYP.1 24272 GREEN FORMULA 150 PER MIL-P-24441/1C, QPL 24441-103

NOTES:

QTY REQD	CODE IDENT	PART OR IDENTIFYING NO.	NOMENCLATURE OR DESCRIPTION	MATERIAL SPECIFICATION	
PARTS LIST					
UNLESS OTHERWISE SPECIFIED DIMENSIONS ARE IN INCHES TOLERANCES ARE: FRACTIONS DECIMALS ANGLES + .XX ±.01 + - .XXX ±.005 -		CONTRACT NO. U1967	APPROVALS DRAWN D.F.ESTABROOK CHECKED <i>NCS</i> APPROVED <i>[Signature]</i>	DATE 08/20/98 3/7/01 3-7-01	DELTA microwave 1301 VANGUARD DR. OXNARD CALIFORNIA 93033 TITLE U1967 SIZE B CODE IDENT NO. 51719 DRAWING NO. U1967
MATERIAL		FINISH			
U1967		DO NOT SCALE DRAWING			
USED ON MODEL#		SCALE FULL			
				SHEET 1 OF 1	