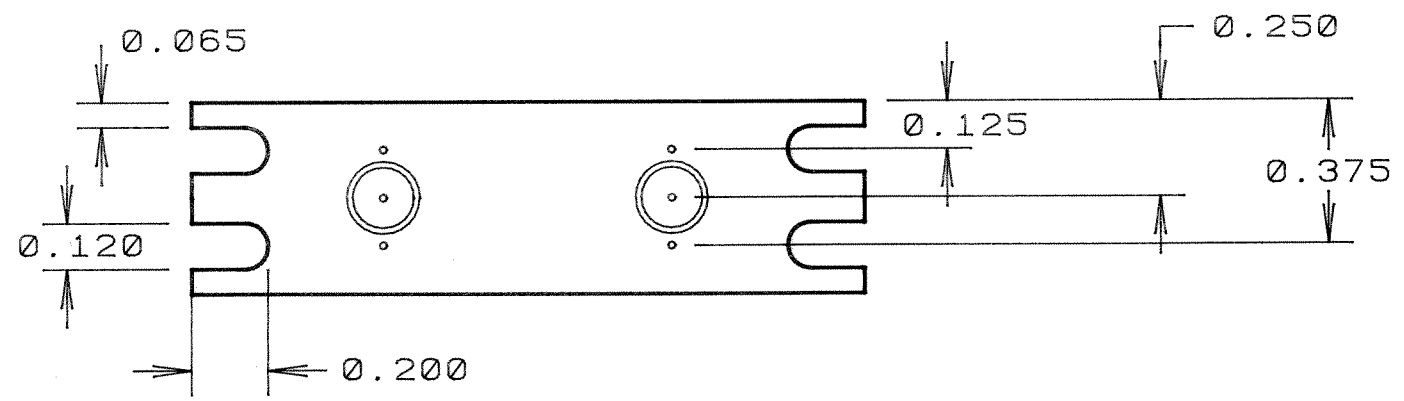
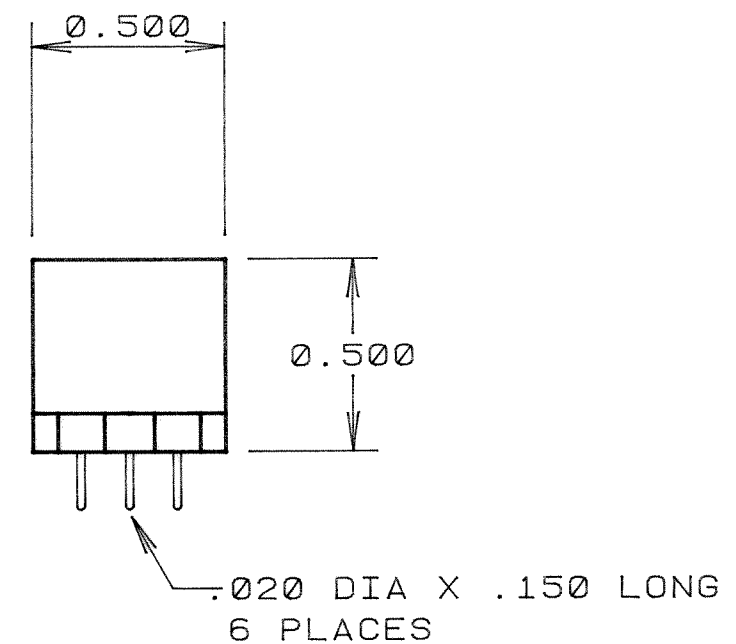
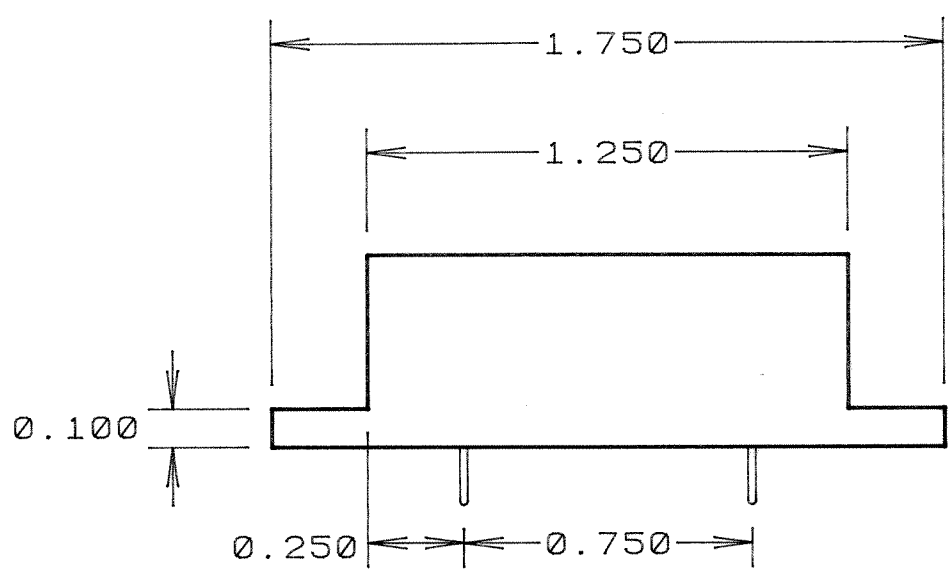


THIS DOCUMENT CONTAINS INFORMATION PROPRIETARY TO DELTA MICROWAVE. ANY REPRODUCTION OF THIS DOCUMENT WITHOUT WRITTEN PERMISSION IS EXPRESSLY PROHIBITED.

REVISIONS				
ZONE	LTR	DESCRIPTION	DATE	APPROVED
	A	RELEASED	9/9/94	



2. MARKING: USING BLACK WORNOW INK, TO INCLUDE:
DELTA MICROWAVE, MODEL NO., SERIAL NO.,
CODE IDENT. NO. 51719 AND DATE CODE.

1. FINISH: GOLD PLATE PER MIL-G-45204
TYPE II, GRADE C, CLASS 1

NOTES:

QTY REQD	CODE IDENT	PART OR IDENTIFYING NO.	NOMENCLATURE OR DESCRIPTION	MATERIAL SPECIFICATION
PARTS LIST				
UNLESS OTHERWISE SPECIFIED DIMENSIONS ARE IN INCHES TOLERANCES ARE: FRACTIONS DECIMALS ANGLES ± .XX ± .01 ± .XXX ± .005		CONTRACT NO. U1460	DELTA MICROWAVE 840 VIA ALONDRA CAMARILLO, CALIFORNIA 93010	
MATERIAL		APPROVALS DRAWN <i>D.F. ESTABROOK</i>	DATE 9/9/94	OUTLINE
FINISH 		CHECKED <i>[Signature]</i>		
DO NOT SCALE DRAWING		SIZE B	CODE IDENT NO. 51719	DRAWING NO. U1460
SCALE 2:1			SHEET 1 OF 1	