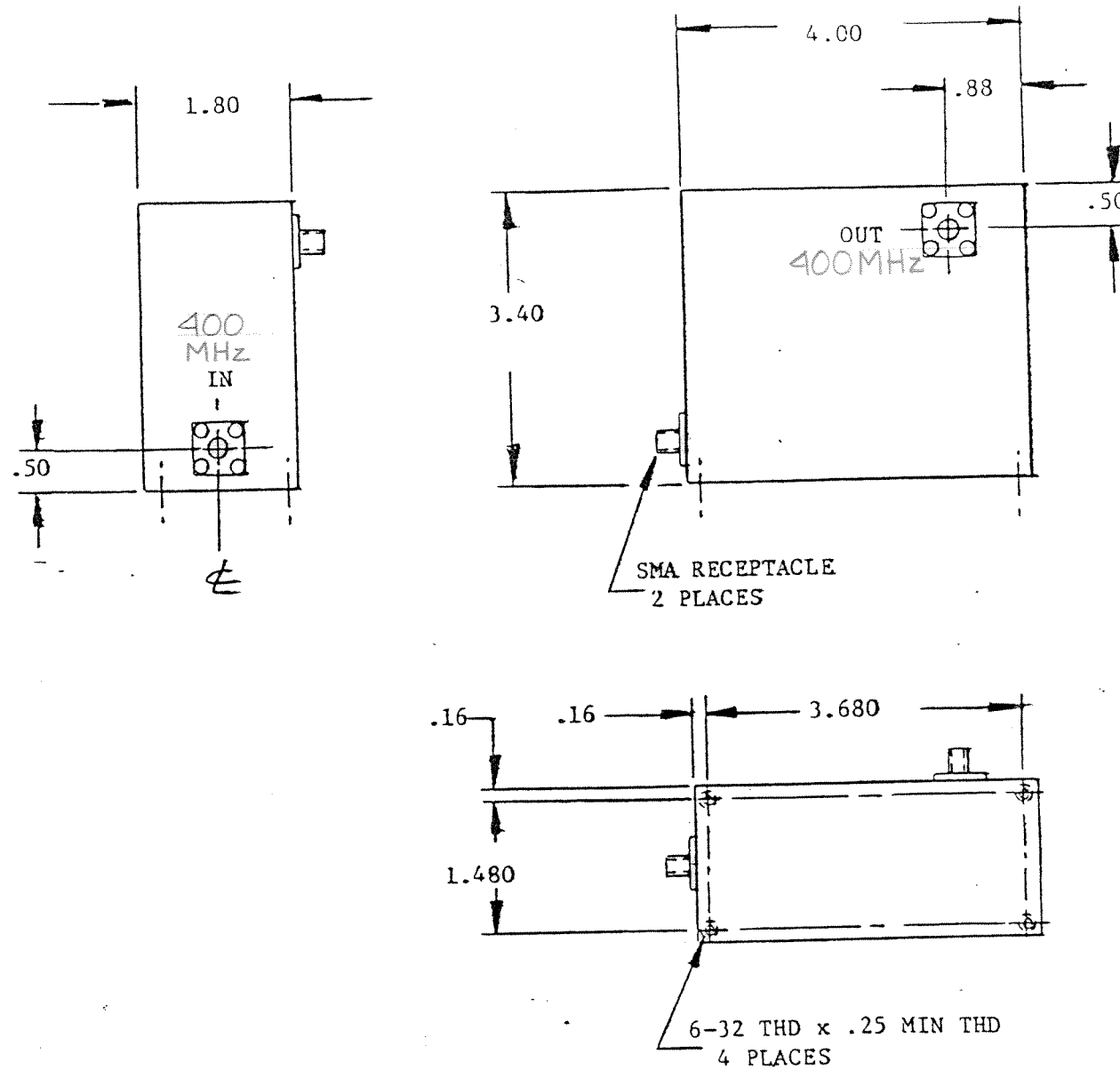


THIS DOCUMENT CONTAINS INFORMATION PROPRIETARY TO DELTA MICROWAVE. ANY REPRODUCTION OF THIS DOCUMENT WITHOUT WRITTEN PERMISSION IS EXPRESSLY PROHIBITED.

REVISIONS				
ZONE	LTR	DESCRIPTION	DATE	APPROVED
	D	ECO# 515	6-29-82	RVA
	E	ECO# 100668	10-7-82	RVA



2. MARKING: USING BLACK WORNOW INK, MARKING TO INCLUDE DELTA MICROWAVE, MODEL NO., SERIAL NO. MAGNAVOX P.N. 328885-1, AND LATEST REV. LETTER

⚠ FINISH: GREY POLYURETHANE COATING PER MIL-C-81773(AS) USING EPOXY PRIMER (MIL-P-23377C) COLOR #16440 PER FED STD -595 MASK ALL CONN. AND MTG. HOLES

NOTES:

QTY REQD	CODE IDENT	PART OR IDENTIFYING NO.	NOMENCLATURE OR DESCRIPTION	MATERIAL SPECIFICATION
PARTS LIST				
UNLESS OTHERWISE SPECIFIED DIMENSIONS ARE IN INCHES TOLERANCES ARE: FRACTIONS DECIMALS ANGLES ± 1/64 .XX ± .01 ± 1/2° .XXX ± .005 ± 1/2°		CONTRACT NO.		DELTA MICROWAVE 840 VIA ALONDRA CAMARILLO, CALIFORNIA 93010
MATERIAL		APPROVALS	DATE	
FINISH		DRAWN <i>J. Alvey</i> 6-29-82		BANDPASS FILTER OUTLINE DRAWING
DO NOT SCALE DRAWING		CHECKED <i>R. Reed</i> 10-7-82		
		SIZE	CODE IDENT NO.	DRAWING NO.
		B	51719	U1210
		SCALE		SHEET OF