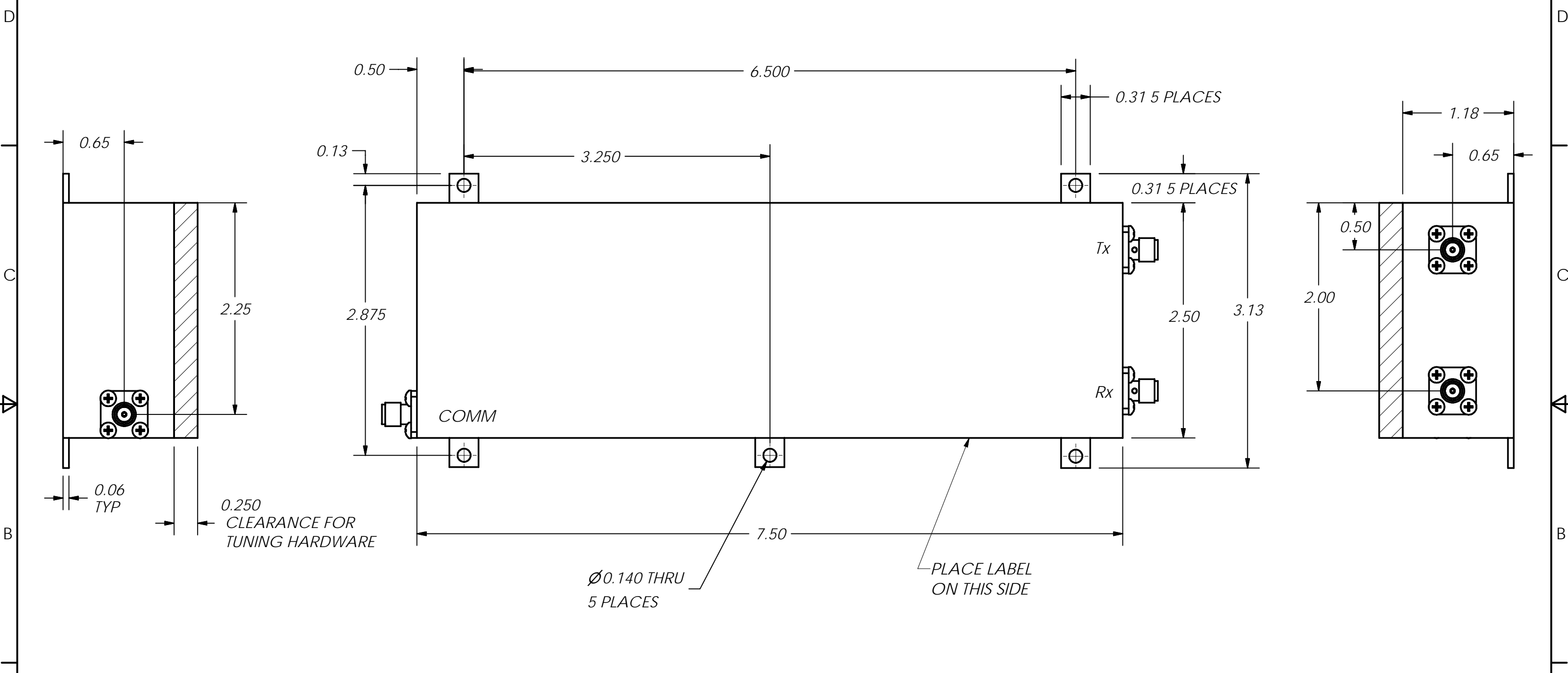


THIS DOCUMENT CONTAINS INFORMATION PROPRIETARY TO DELTA MICROWAVE. ANY REPRODUCTION WITHOUT WRITTEN PERMISSION IS EXPRESSLY PROHIBITED.

ZONE	REV	DESCRIPTION	DATE	APPROVED
	A	PRELIMINARY RELEASE	04/18/06	



2. MARKING: USING CLEAR LABEL WITH BLACK CHARACTERS TO INCLUDE DELTA MICROWAVE, MODEL NO., SERIAL NO. CODE IDENT. NO. 51719 AND DATE CODE

FINISH: GREY POLYURETHANE COATING PER MIL-C-81773 (AS) COLOR NO. 16440, PER FED-STD-595 USING EPOXY PRIMER PER MIL-P-23377C

NOTES:

UNLESS OTHERWISE SPECIFIED DIMENSIONS ARE IN INCHES TOLERANCES ARE: FRACTIONS DECIMALS ANGLES + .xx ± .03 + - .xxx ± .010 -	CONTRACT NO.	S5717	
	APPROVALS	DATE	
	DRAWN	J.A. DE HORTA	04/18/06
	CHECKED		
MATERIAL	APPROVED		
FINISH			
USED ON MODEL#	DO NOT SCALE DRAWING		

DELTA MICROWAVE
1301 VANGUARD DRIVE OXNARD, CA 93033

DELTA MICROWAVE
S5717 OUTLINE

SIZE	CODE IDENT NO.	DWG NO
B	51719	S5717
SCALE 1/1	SHEET 1	OF 1