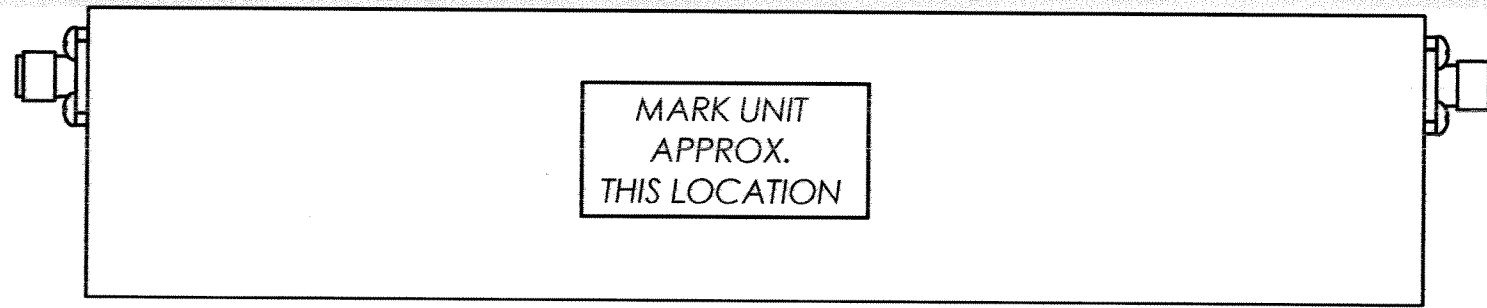
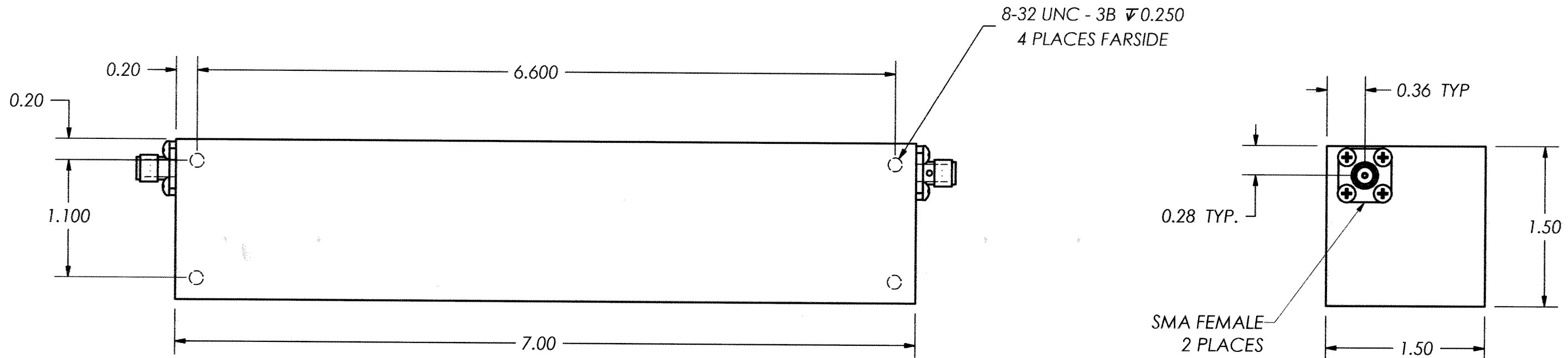


THIS DOCUMENT CONTAINS INFORMATION PROPRIETARY TO DELTA MICROWAVE. ANY REPRODUCTION WITHOUT WRITTEN PERMISSION IS EXPRESSLY PROHIBITED.

ZONE	REV	DESCRIPTION	DATE	APPROVED
	A	FIRST ENG. RELEASE	05/27/05	<i>[Signature]</i>



2. MARKING: USING LABEL OR BLACK WARNOW INK TO INCLUDE:
DELTA MICROWAVE, MODEL NO., SERIAL NO.,
CODE IDENT. NO. 51719 AND DATE CODE

1: FINISH: HAZE GRAY EPOXY POLYAMIDE TOPCOAT
PER MIL-DTL-24441C, SUP. 1
MIL-DTL-24441/21, TYP 3, FORMULA 151
USING GREEN EPOXY POLYAMIDE PRIMER
MIL-DTL-24441/20, TYP 3, FORMULA 150

NOTES:

UNLESS OTHERWISE SPECIFIED
DIMENSIONS ARE IN INCHES
TOLERANCES ARE:
FRACTIONS DECIMALS ANGLES
+ .xx ± .03 +
- .xxx ± .010 -

USED ON MODEL#	DO NOT SCALE DRAWING

CONTRACT NO. S2507

APPROVALS
DRAWN J.A. DE HORTA 05/27/05

REVISED

CHECKED *[Signature]* 05/31/05
APPROVED *[Signature]* 5/23/05

Delta Microwave Inc.
1301 VANGUARD DRIVE OXNARD, CA 93033

TITLE
S2507 OUTLINE

SIZE B CODE IDENT NO. 51719 DWG NO. S2507

SCALE 1/1 SHEET 1 OF 1