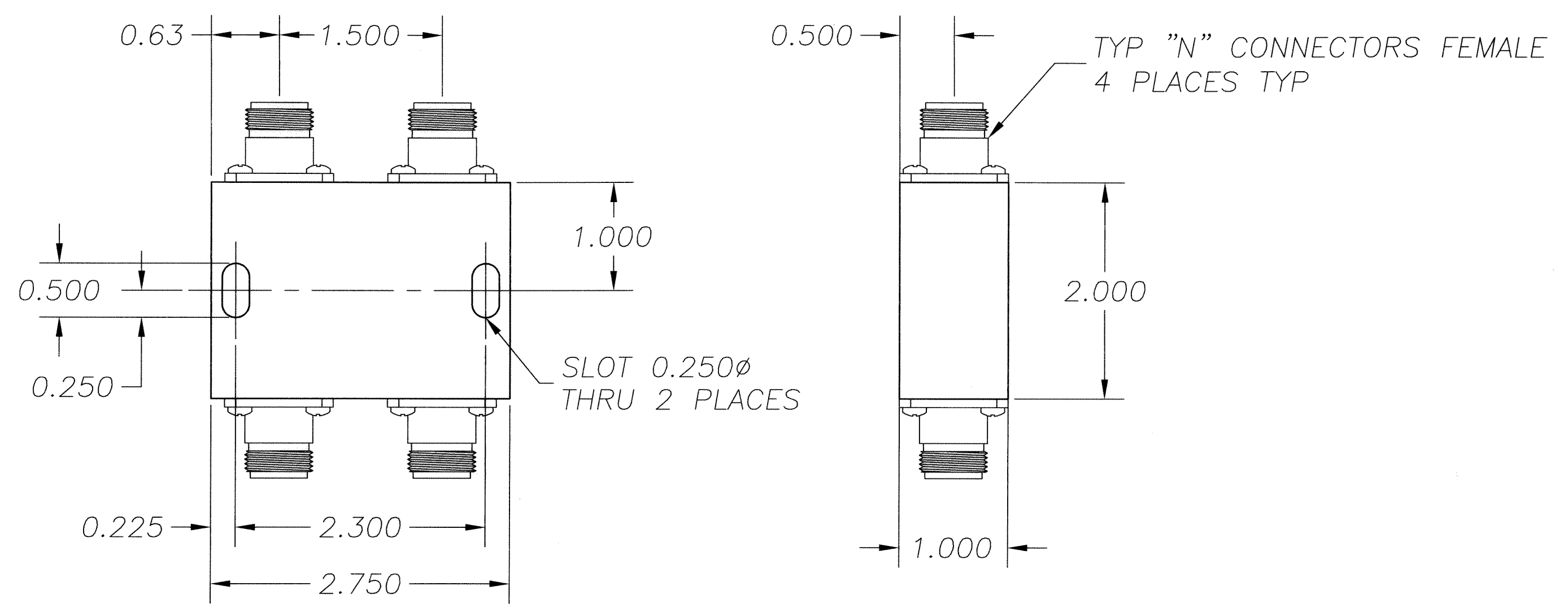


THIS DOCUMENT CONTAINS INFORMATION PROPRIETARY TO DELTA MICROWAVE. ANY REPRODUCTION OF THIS DOCUMENT WITHOUT WRITTEN PERMISSION IS EXPRESSLY PROHIBITED.

REVISIONS				
ZONE	REV	DESCRIPTION	DATE	APPROVED
	A	RELEASED	08/06/98	



2. MARKING: USING BLACK WARNOW INK TO INCLUDE:  
DELTA MICROWAVE, MODEL NO., SERIAL NO.,  
CODE IDENT. NO. 51719 AND DATE CODE

1: FINISH: HAZE GRAY EPOXY POLYAMIDE TOPCOAT  
PER MIL-P-24441B TYP.1  
(AS)COLOR NO.26270, FORMULA 151  
PER MIL-P-24441/1C, QPL 24441-103  
USING EPOXY POLYAMIDE PRIMER  
PER MIL-P-24441B TYP.1 24272 GREEN  
FORMULA 150 PER MIL-P-24441/1C, QPL 24441-103

NOTES:

QTY REQD	CODE IDENT	PART OR IDENTIFYING NO.	NOMENCLATURE OR DESCRIPTION	MATERIAL SPECIFICATION
PARTS LIST				
UNLESS OTHERWISE SPECIFIED DIMENSIONS ARE IN INCHES		CONTRACT NO. L6104	<b>DELTA microwave</b> 1301 VANGUARD DR. OXNARD CALIFORNIA 93033	
TOLERANCES ARE:		APPROVALS		
FRACTIONS	DECIMALS	ANGLES	DRAWN D.F.ESTABROOK	08/06/98
+	.xx $\pm$ .01	+	TITLE <b>OUTLINE</b>	
-	.xxx $\pm$ .005	-		
MATERIAL				
FINISH			APPROVED	
DO NOT SCALE DRAWING			SIZE B	CODE IDENT NO. 51719
			SCALE FULL	DRAWING NO. L6104
				SHEET 1 OF 1