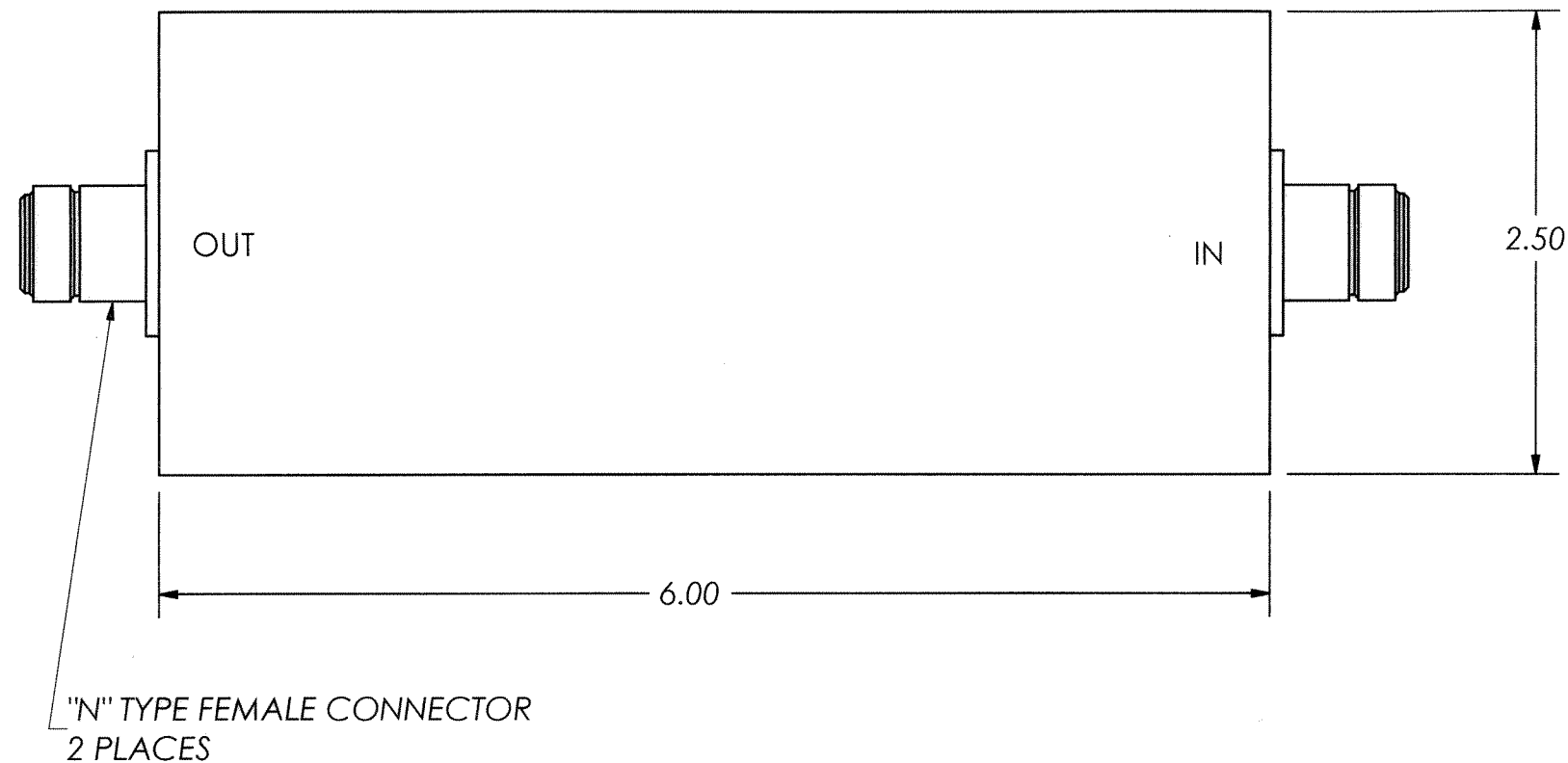
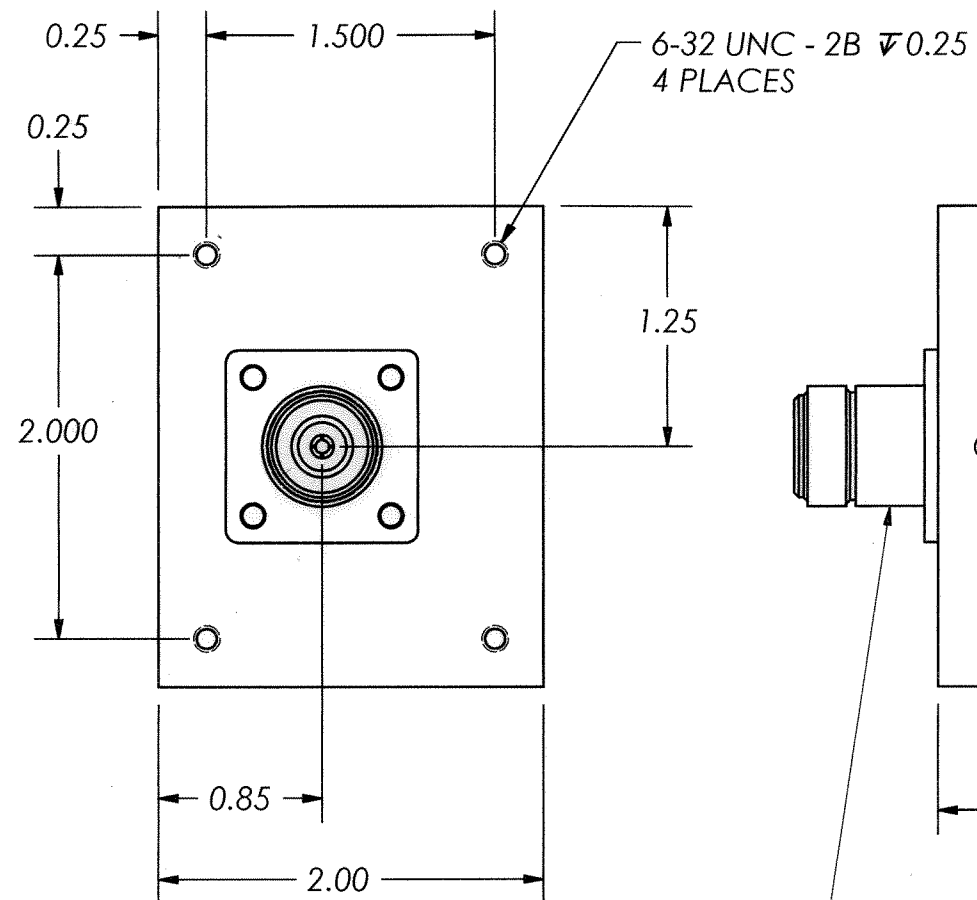


THIS DOCUMENT CONTAINS INFORMATION PROPRIETARY TO DELTA MICROWAVE. ANY REPRODUCTION WITHOUT WRITTEN PERMISSION IS EXPRESSLY PROHIBITED.

ZONE	REV	DESCRIPTION	DATE	APPROVED
	A	FIRST ENG. RELEASE	04/24/02	R.E.S.
	B	REDESIGN	06/04/02	R.E.S.
	C	ECO#105974	06/06/02	<i>[Signature]</i>



2. MARKING: USING LABEL OR BLACK WARNOW INK TO INCLUDE:
DELTA MICROWAVE, MODEL NO., SERIAL NO.,
CODE IDENT. NO. 51719 AND DATE CODE

1: FINISH: HAZE GRAY EPOXY POLYAMIDE TOPCOAT
PER MIL-DTL-24441C, SUP. 1
MIL-DTL-2441/21A, TYP 3, FORMULA 151
USING GREEN EPOXY POLYAMIDE PRIMER
MIL-DTL-2441/20A, TYP 3, FORMULA 150

NOTES:

UNLESS OTHERWISE SPECIFIED
DIMENSIONS ARE IN INCHES
TOLERANCES ARE:
FRACTIONS DECIMALS ANGLES
+ .xx ± .03 +
- .xxx ± .010 -

CONTRACT NO. **L5990**

APPROVALS DATE
DRAWN N. CASTRO 06/04/02

CHECKED *[Signature]* 6/11/02
APPROVED

CAD SYSTEM *[Signature]* 6/11/02

INVENTOR 5.0

DELTA MICROWAVE
DELTA MICROWAVE
1301 VANGUARD DRIVE OXNARD, CA 93033

TITLE
OUTLINE

SIZE CODE IDENT NO. DWG NO.
B 51719 L5990

SCALE 1/1 SHEET 1 OF 1

USED ON MODEL#	DO NOT SCALE DRAWING