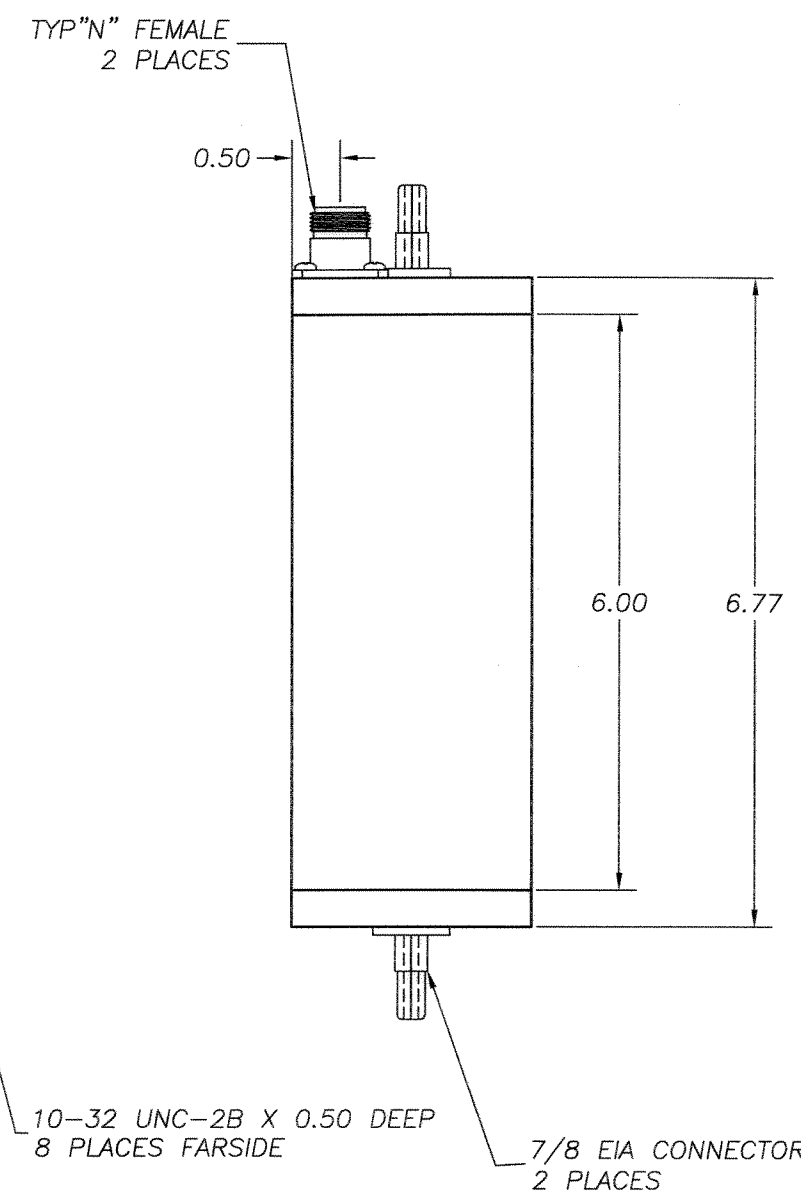
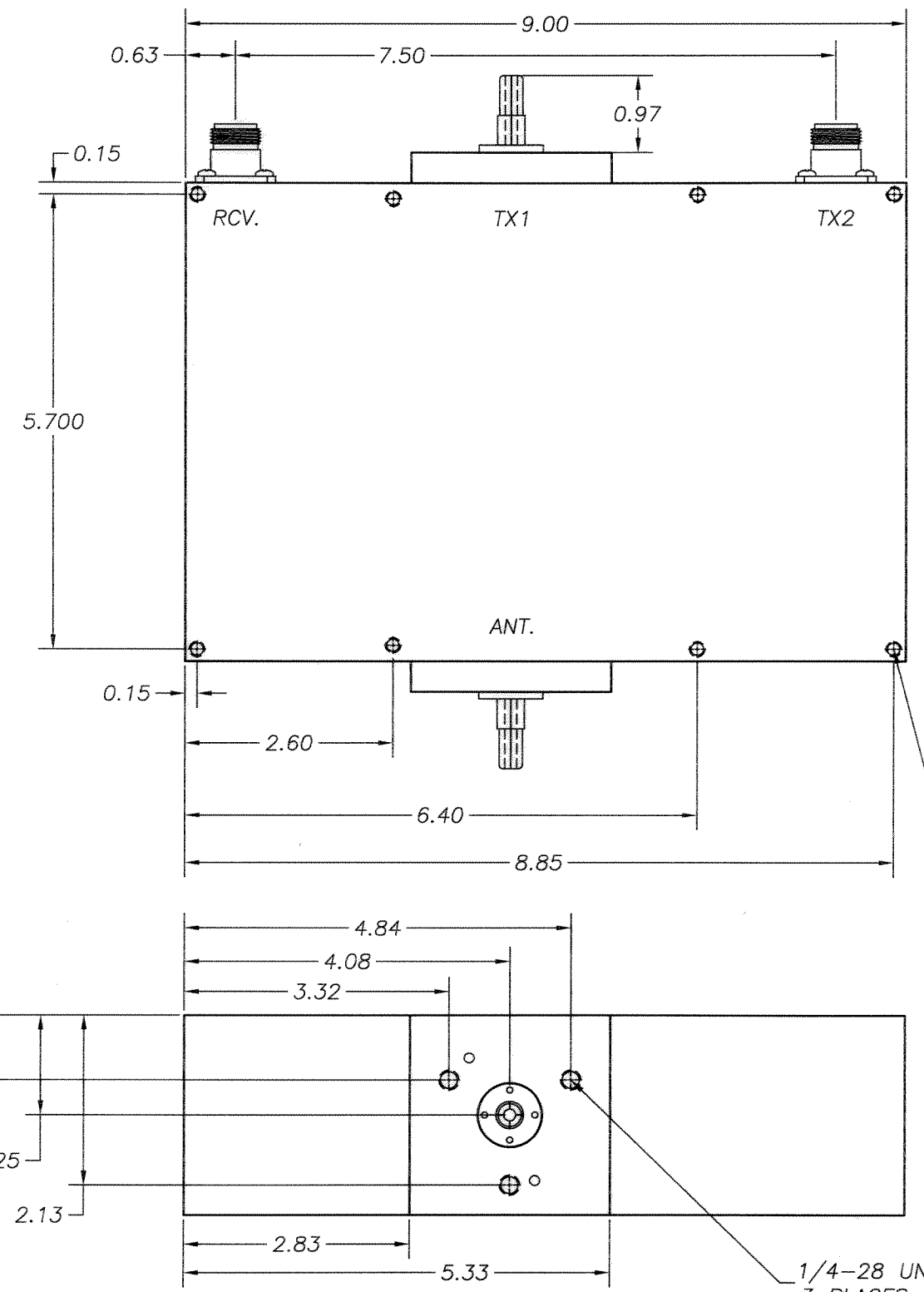


THIS DOCUMENT CONTAINS INFORMATION PROPRIETARY TO DELTA MICROWAVE. ANY REPRODUCTION OF THIS DOCUMENT WITHOUT WRITTEN PERMISSION IS EXPRESSLY PROHIBITED.

REVISIONS				
ZONE	REV	DESCRIPTION	DATE	APPROVED
	A	RELEASED	09/26/00	



Rx 2200-2400 MHZ
LOSS: 1db MAX
VSWR: 1.25:1 MAX

Tx1 1750-1850 MHZ
LOSS: .5db MAX
VSWR: 1.25:1 MAX

Tx2 2025-2120 MHZ
LOSS: 1db MAX
VSWR: 1.25:1 MAX

Tx1-Rx ISOLATION: 120db MIN
Tx2-Rx ISOLATION 100db MIN
Tx1-Tx2 ISOLATION: 60db MIN

2. MARKING: USING BLACK WARNOW INK TO INCLUDE: DELTA MICROWAVE, MODEL NO., SERIAL NO., CODE IDENT. NO. 51719 AND DATE CODE

1: FINISH: HAZE GRAY EPOXY POLYAMIDE TOPCOAT PER MIL-DTL-2441/21A, TYP 3, FORMULA 151 USING GREEN EPOXY POLYAMIDE PRIMER PER MIL-DTL-2441/20A, TYP 3, FORMULA 150

NOTES:

QTY REQD	CODE IDENT	PART OR IDENTIFYING NO.	NOMENCLATURE OR DESCRIPTION	MATERIAL SPECIFICATION
PARTS LIST				
UNLESS OTHERWISE SPECIFIED DIMENSIONS ARE IN INCHES TOLERANCES ARE: FRACTIONS DECIMALS ANGLES + .xx ±.01 + - .xxx ±.005 -		CONTRACT NO. L5981	DELTA microwave 1301 VANGUARD DR. OXNARD CALIFORNIA 93033	
APPROVALS		DATE	TITLE	
DRAWN D.F. ESTABROOK		09/26/00	OUTLINE	
MATERIAL		CHECKED D.F. ESTABROOK	DRAWING NO. L5981	
FINISH		APPROVED	SIZE B	CODE IDENT NO. 51719
L5981			DRAWING NO. L5981	
USED ON MODEL#		DO NOT SCALE DRAWING		SCALE 1/2
			SHEET 1 OF 1	