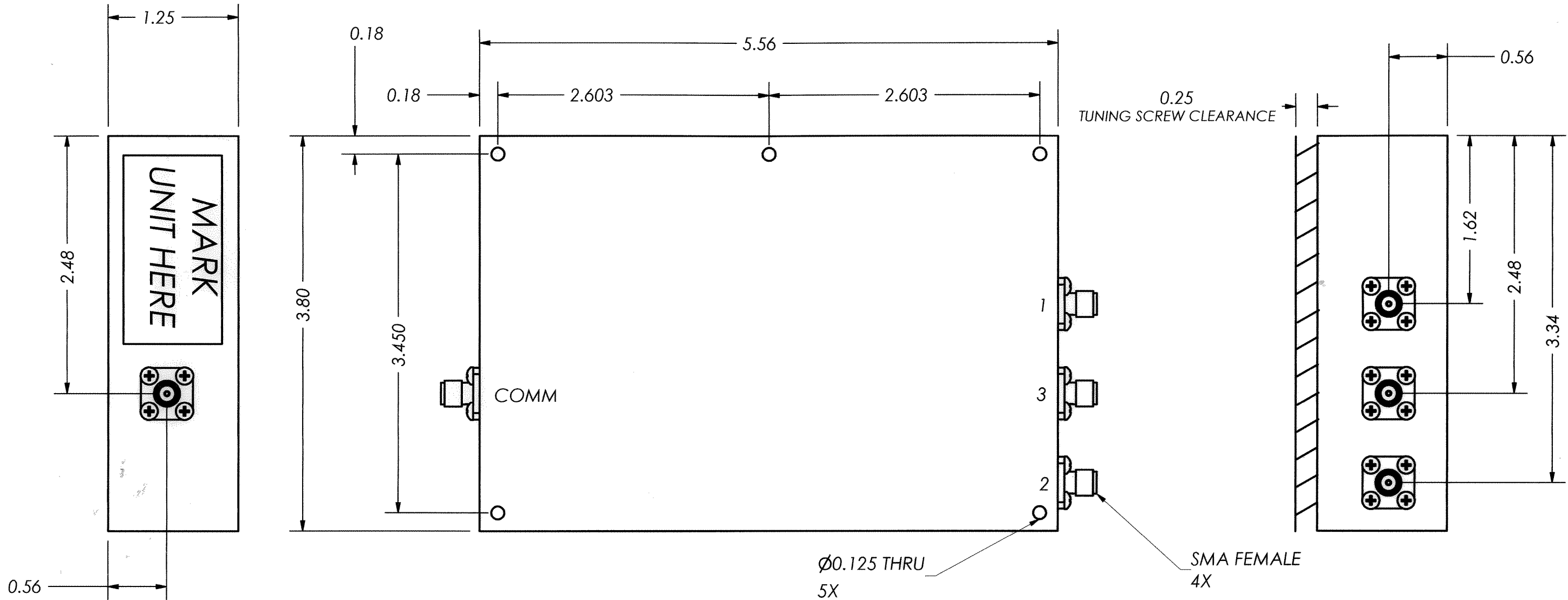


THIS DOCUMENT CONTAINS INFORMATION PROPRIETARY TO DELTA MICROWAVE. ANY REPRODUCTION WITHOUT WRITTEN PERMISSION IS EXPRESSLY PROHIBITED.

ZONE	REV	DESCRIPTION	DATE	APPROVED
	A	RELEASE	03/07/03	



2. MARKING: USING CLEAR LABEL WITH BLACK CHARACTERS TO INCLUDE DELTA MICROWAVE, MODEL NO., SERIAL NO. CODE IDENT. NO. 51719 AND DATE CODE

1. FINISH: HAZE GRAY EPOXY POLYAMIDE TOPCOAT PER MIL-P-24441B TYP. 1 (AS) COLOR NO. 26270, FORMULA 151 PER MIL-P-24441/1C, QPL 24441-103 USING EPOXY POLYAMID PRIMER PER MIL-P-2441B TYP. 1 24272 GREEN FORMULA 150 PER MIL-P-24441/1C, QPL 24441-103

NOTES:

UNLESS OTHERWISE SPECIFIED DIMENSIONS ARE IN INCHES TOLERANCES ARE:  
 FRACTIONS DECIMALS ANGLES  
 + .xx ± .03 +  
 - .xxx ± .010 -

CONTRACT NO. L5742

**DELTA MICROWAVE**  
 1301 VANGUARD DRIVE OXNARD, CA 93033

APPROVALS DATE

DRAWN M.D. JUE 03/07/03

CHECKED 3/9/03

APPROVED 3/12/03

TITLE  
**L5742 OUTLINE**

MATERIAL

FINISH

SIZE CODE IDENT NO. DWG NO

**B** **51719** **L5742**

USED ON MODEL#

DO NOT SCALE DRAWING

SCALE FULL SHEET 1 OF 1