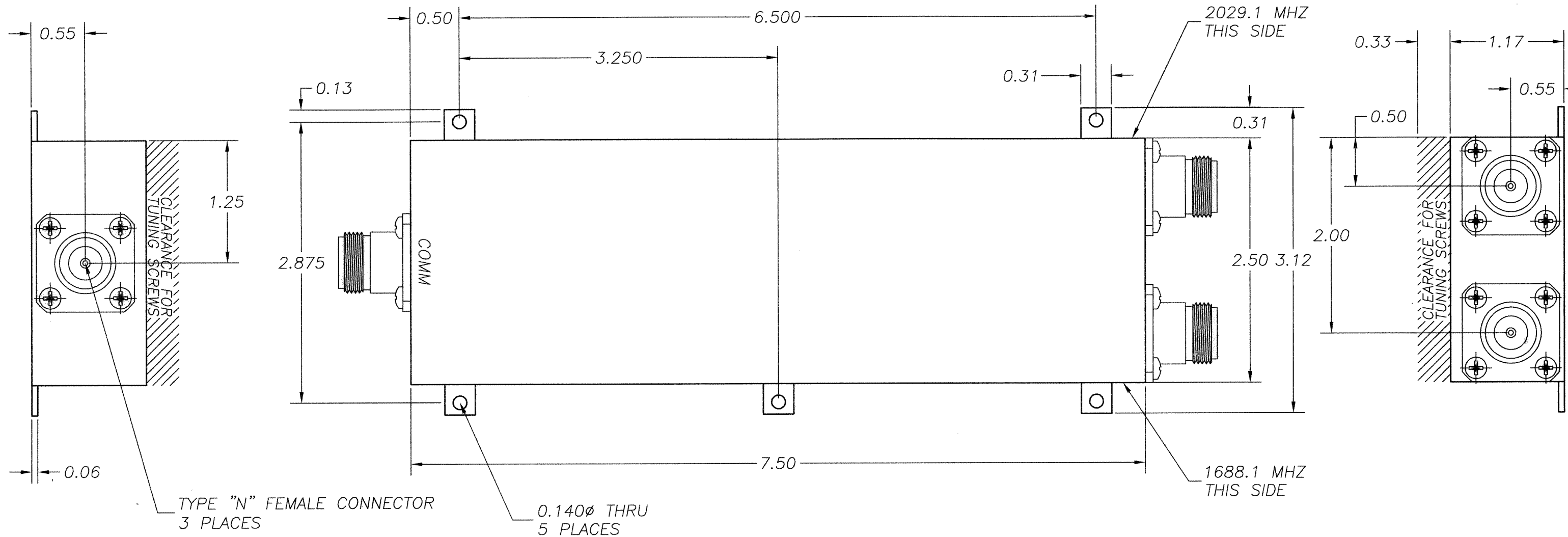


THIS DOCUMENT CONTAINS INFORMATION PROPRIETARY TO DELTA MICROWAVE. ANY REPRODUCTION OF THIS DOCUMENT WITHOUT WRITTEN PERMISSION IS EXPRESSLY PROHIBITED.

REVISIONS				
ZONE	REV	DESCRIPTION	DATE	APPROVED
	A	RELEASED	10/09/01	<i>[Signature]</i>



2. MARKING: USING BLACK WARNOW INK TO INCLUDE:
DELTA MICROWAVE, MODEL NO., SERIAL NO.,
CODE IDENT. NO. 51719 AND DATE CODE

1: FINISH: HAZE GRAY EPOXY POLYAMIDE TOPCOAT
PER MIL-DTL-2441/21A, TYP 3, FORMULA 151
USING GREEN EPOXY POLYAMIDE PRIMER
PER MIL-DTL-2441/20A, TYP 3, FORMULA 150

NOTES:

QTY REQD	CODE IDENT	PART OR IDENTIFYING NO.	NOMENCLATURE OR DESCRIPTION	MATERIAL SPECIFICATION
PARTS LIST				
UNLESS OTHERWISE SPECIFIED DIMENSIONS ARE IN INCHES TOLERANCES ARE: FRACTIONS DECIMALS ANGLES + .XX ±.03 + - .XXX ±.010 -			CONTRACT NO. L5738	DELTA microwave 1301 VANGUARD DR. OXNARD CALIFORNIA 93033
APPROVALS		DATE	TITLE	
DRAWN <i>D.F. ESTABROOK</i>		10/09/01	OUTLINE	
CHECKED <i>NW</i>		10/12/01		
APPROVED <i>[Signature]</i>		10-12-01	SIZE B	CODE IDENT NO. 51719
DRAWING NO. L5738				
SCALE FULL		SHEET 1 OF 1		

L5738	USED ON MODEL#
	DO NOT SCALE DRAWING