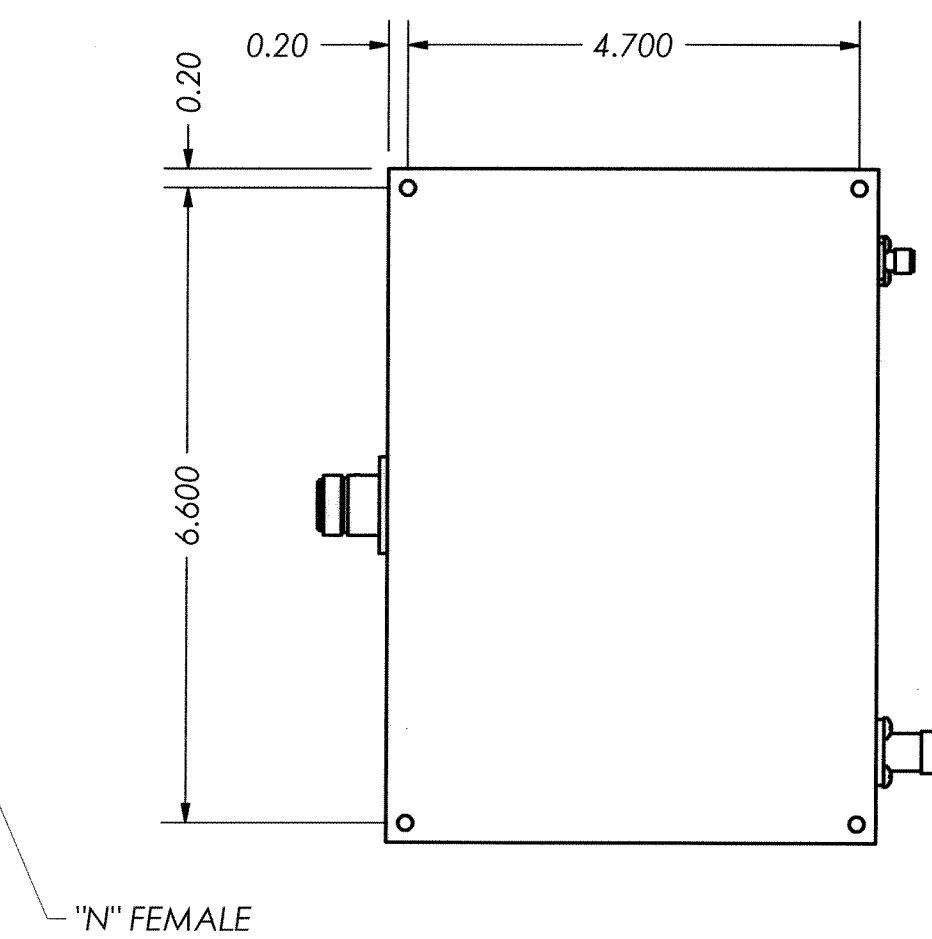
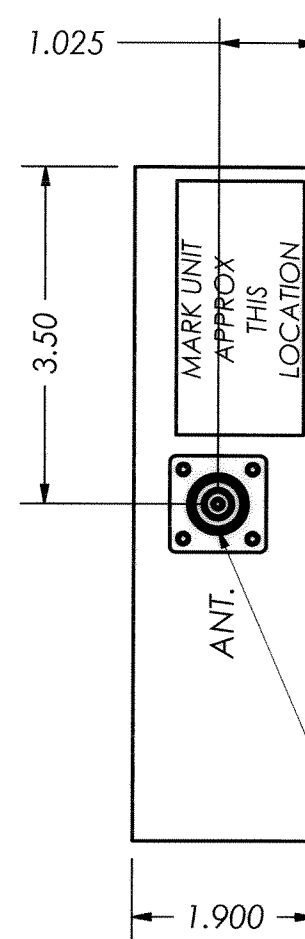
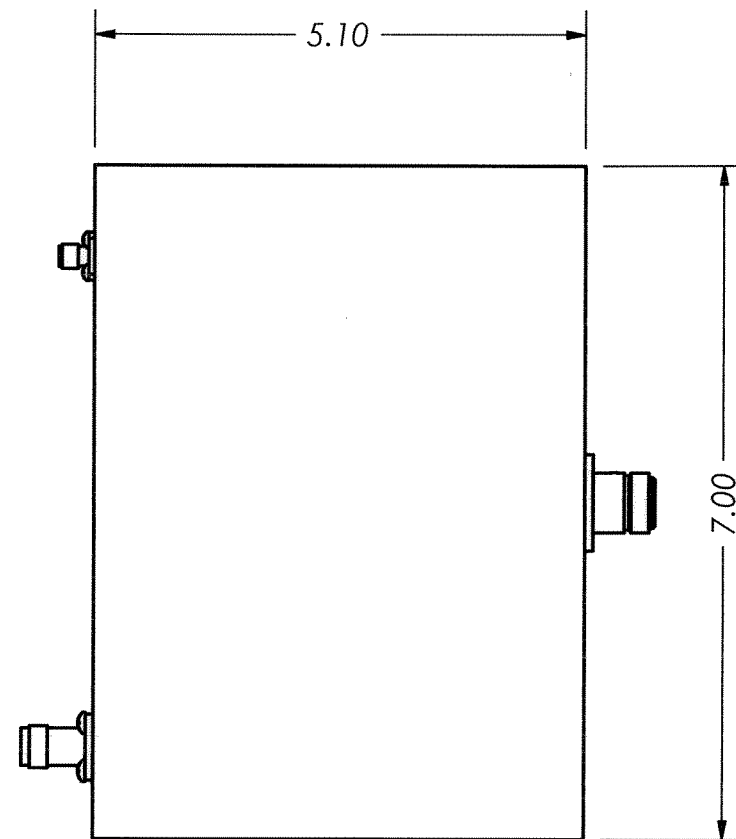
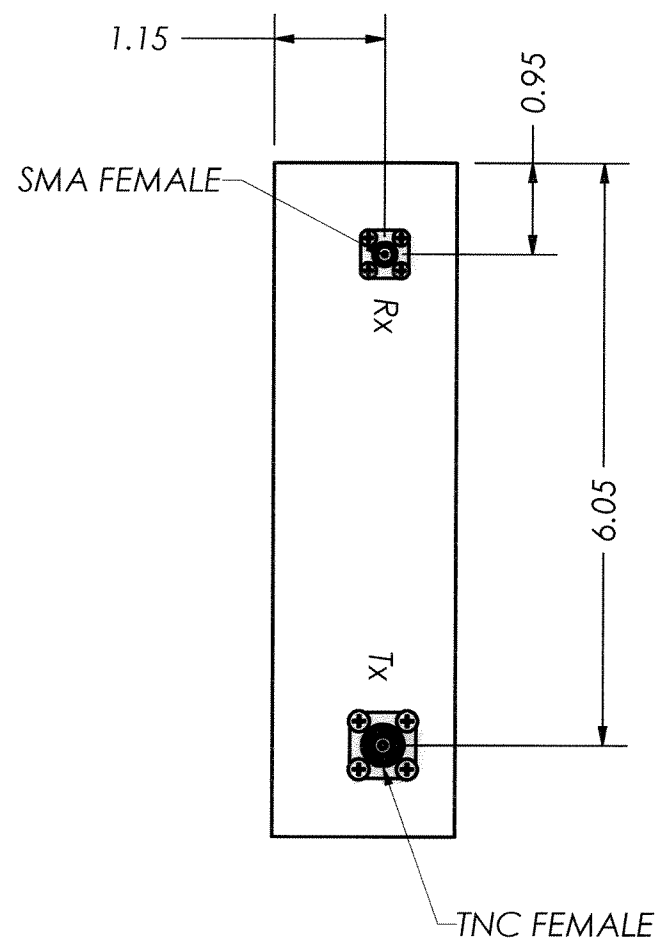


THIS DOCUMENT CONTAINS INFORMATION PROPRIETARY TO DELTA MICROWAVE. ANY REPRODUCTION WITHOUT WRITTEN PERMISSION IS EXPRESSLY PROHIBITED.

ZONE	REV	DESCRIPTION	DATE	APPROVED
	A	INITIAL RELEASE	12/10/04	<i>[Signature]</i>



2. MARKING: USING LABEL OR BLACK WARNOW INK TO INCLUDE:  
DELTA MICROWAVE, MODEL NO., SERIAL NO.,  
CODE IDENT. NO. 51719 AND DATE CODE

1: FINISH: HAZE GRAY EPOXY POLYAMIDE TOPCOAT  
PER MIL-DTL-24441C, SUP. 1  
MIL-DTL-24441/21, TYP 3, FORMULA 151  
USING GREEN EPOXY POLYAMIDE PRIMER  
MIL-DTL-24441/20, TYP 3, FORMULA 150

NOTES:

UNLESS OTHERWISE SPECIFIED DIMENSIONS ARE IN INCHES TOLERANCES ARE: FRACTIONS DECIMALS ANGLES + .xx ± .03 + - .xxx ± .010 -	CONTRACT NO. L5692	
	APPROVALS	DATE
	DRAWN D.F. ESTABROOK	12/10/04
	REVIS	
MATERIAL	CHECKED <i>[Signature]</i>	DATE 12/10/04
FINISH	APPROVED <i>[Signature]</i>	DATE 12/11/04
USED ON MODEL#	DO NOT SCALE DRAWING	

	<b>Delta Microwave Inc.</b>	
	1301 VANGUARD DRIVE OXNARD, CA 93033	
TITLE <b>L5692 OUTLINE</b>		
SIZE <b>B</b>	CODE IDENT NO. <b>51719</b>	DWG NO. <b>L5692</b>
SCALE 1/2	SHEET 1 OF 1	