



# Model Number L5648 GPS Filter/Amplifier

Rev -  
10/17/05

## Features:

- L1+L2 Operation
- Dual Output
- Hi-Rel Design
- Low Noise Figure
- Cavity Filter
- Discreet Amplifier

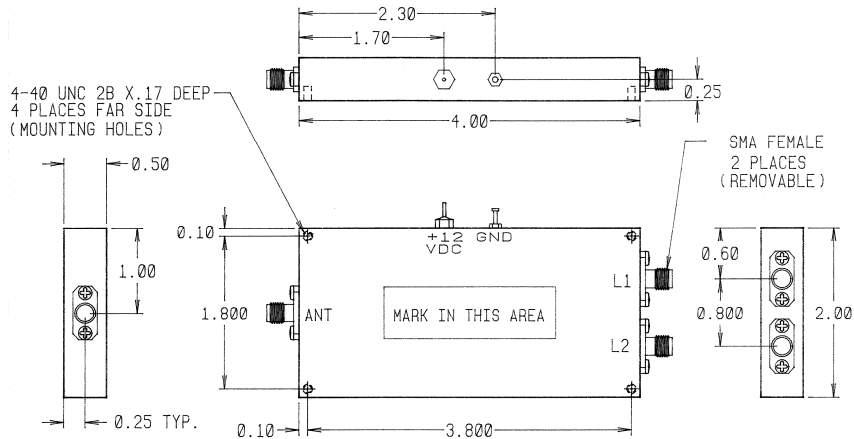
## Applications:

- Booster
- Missile
- Aircraft
- Maritime
- Mobile
- Test Equipment

## Package size:

- 0.5 x 3.0 x 3.0"

(Please see outline for exact dimensions)



Parameter	L1 Channel
Center Frequency	1575.4 +/- 10 MHz 1227.6 +/- 10 MHz
Gain	33 ±3 dB
Noise Figure	3.0 dB
VSWR	1.5:1
80 dB Bandwidth	200 MHz Max
Ultimate Attenuation	80 dB from 10 MHz to 10 GHz 65 dB from 10 to 12 GHz
RF Power Handling	+10 dBm
Voltage	+9 to +25 VDC
Current	0.050 Amps
Finish	Haze Grey
RF Connectors	SMAF
DC Connector	Solder pins
Operating Temperature	-54 to +71°C
Storage Temperature	-62 to +95 °C
Humidity	100% Condensing



## Delta Microwave

1301 Vanguard Dr.  
Oxnard, CA. 93033

Phone: 805.240.1044  
Fax: 805.240.9544

email: sales@deltamicrowave.com  
www.deltamicrowave.com

--	--

By \_\_\_\_\_ Checked \_\_\_\_\_