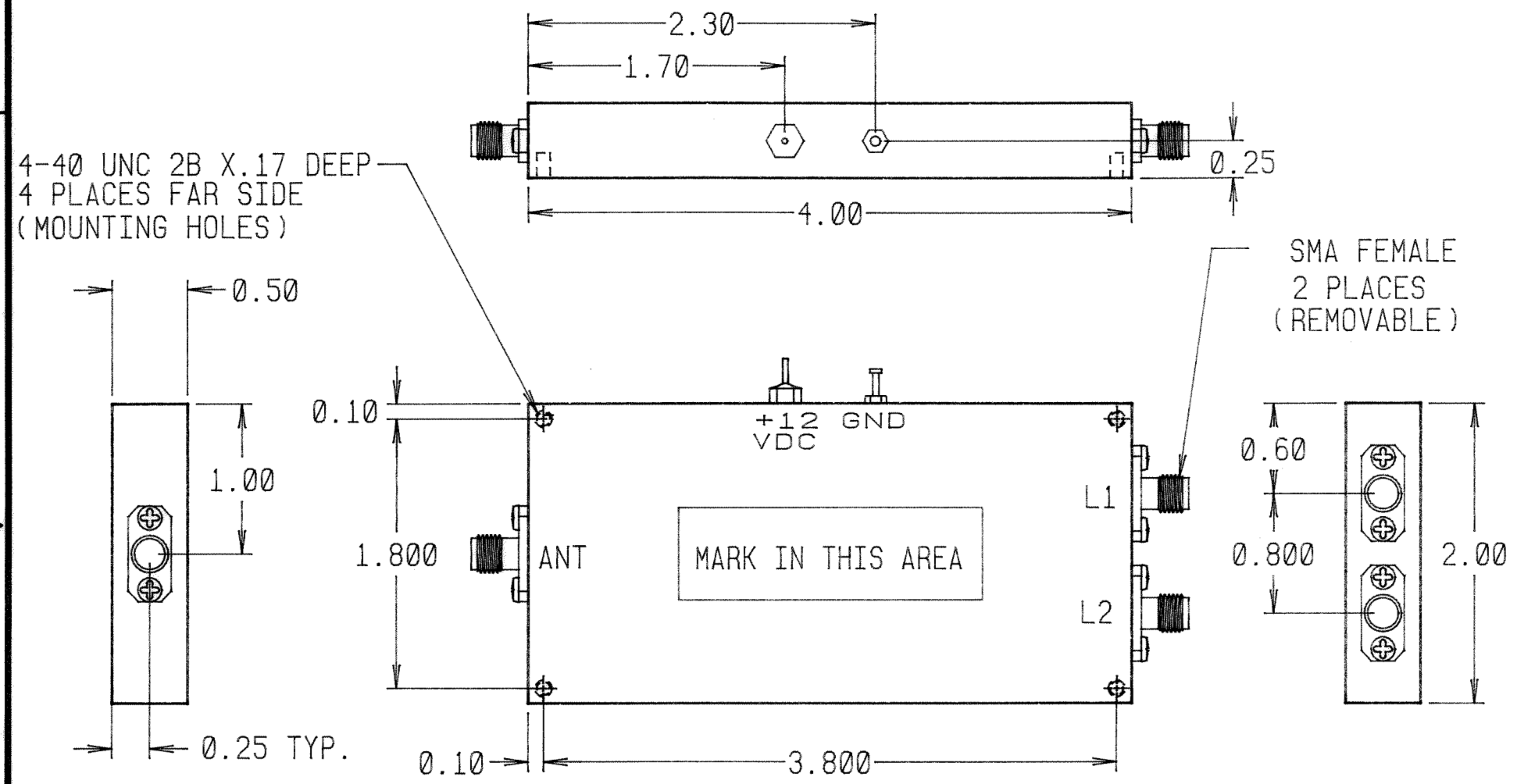


THIS DOCUMENT CONTAINS INFORMATION PROPRIETARY TO DELTA MICROWAVE. ANY REPRODUCTION OF THIS DOCUMENT WITHOUT WRITTEN PERMISSION IS EXPRESSLY PROHIBITED.

REVISIONS				
ZONE	LTR	DESCRIPTION	DATE	APPROVED
	A	RELEASED	12/6/95	RES
	B	ECO#104146	4/4/96	RES.
	C	ECO#104170	6/13/96	



SPECIFICATIONS

CENTER FREQUENCY: L1 1575.4 MHz
L2 1227.6 MHz

CENTER FREQUENCY GAIN: 33 +/- 3 dB

BAND CENTER
SELECTIVITY: 1 dB 2 SIDED BANDWIDTH: 25 MHz MIN
80 dB 2 SIDED BANDWIDTH: 200 MHz MAX

NOISE FIGURE: 3.0 dB MAX

REJECTION: 100MHz to 10GHz: 80 dB MIN
10GHz to 12GHz: 65 dB MIN

VSWR: 1.5:1 OVER 1 dB BANDWIDTH

OPERATING TEMP.: 0 TO 85° C

L1-L2 ISOLATION: 60 dB

2. MARKING: USING BLACK WORNOW INK, TO INCLUDE:
DELTA MICROWAVE, MODEL NO., SERIAL NO.,
CODE IDENT.NO.51719 AND DATE CODE.

1. FINISH: HAZE GREY EPOXY POLYAMIDE TOPCOAT
PER MIL-P-24441B TYP 1
(AS) COLOR NO.26270, FORMULA 151
PER MIL-P-24441/1C, QPL 24441-103
USING EPOXY POLYAMID PRIMER
PER MIL-P-24441B TYPE 1 24272 GREEN
FORMULA 150 PER MIL-P-24441/1C, QPL 24441-103

NOTES:

QTY REQD	CODE IDENT	PART OR IDENTIFYING NO.	NOMENCLATURE OR DESCRIPTION	MATERIAL SPECIFICATION
PARTS LIST				
UNLESS OTHERWISE SPECIFIED DIMENSIONS ARE IN INCHES TOLERANCES ARE:		CONTRACT NO. L5648	DELTA MICROWAVE 840 VIA ALONDRA CAMARILLO, CALIFORNIA 93010	
FRACTIONS DECIMALS ANGLES ± .XX ± .01 ± .XXX ± .005		APPROVALS DRAWN D.F. ESTABROOK	DATE 12/6/95	<h1>OUTLINE DRAWING</h1>
MATERIAL		CHECKED		
FINISH				
DO NOT SCALE DRAWING				
SIZE	CODE IDENT NO.	DRAWING NO.		
B	51719	L5648		
SCALE 1 : 1		SHEET 1 OF 1		