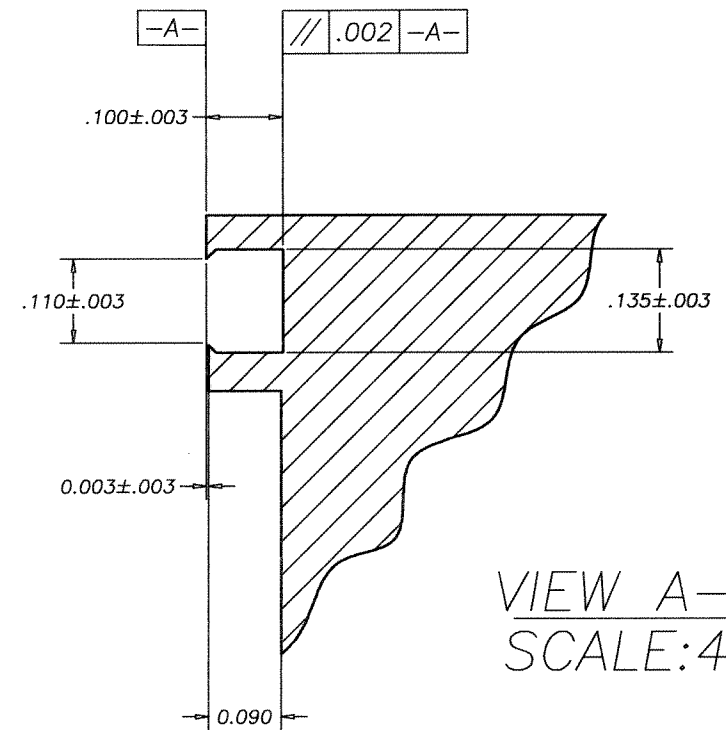
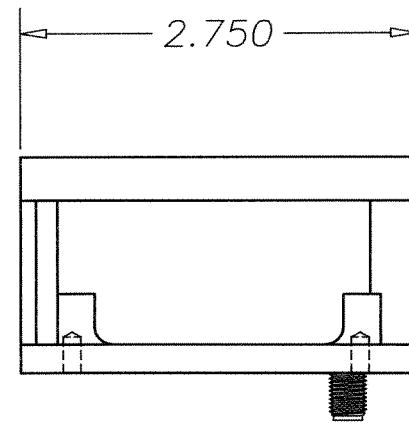
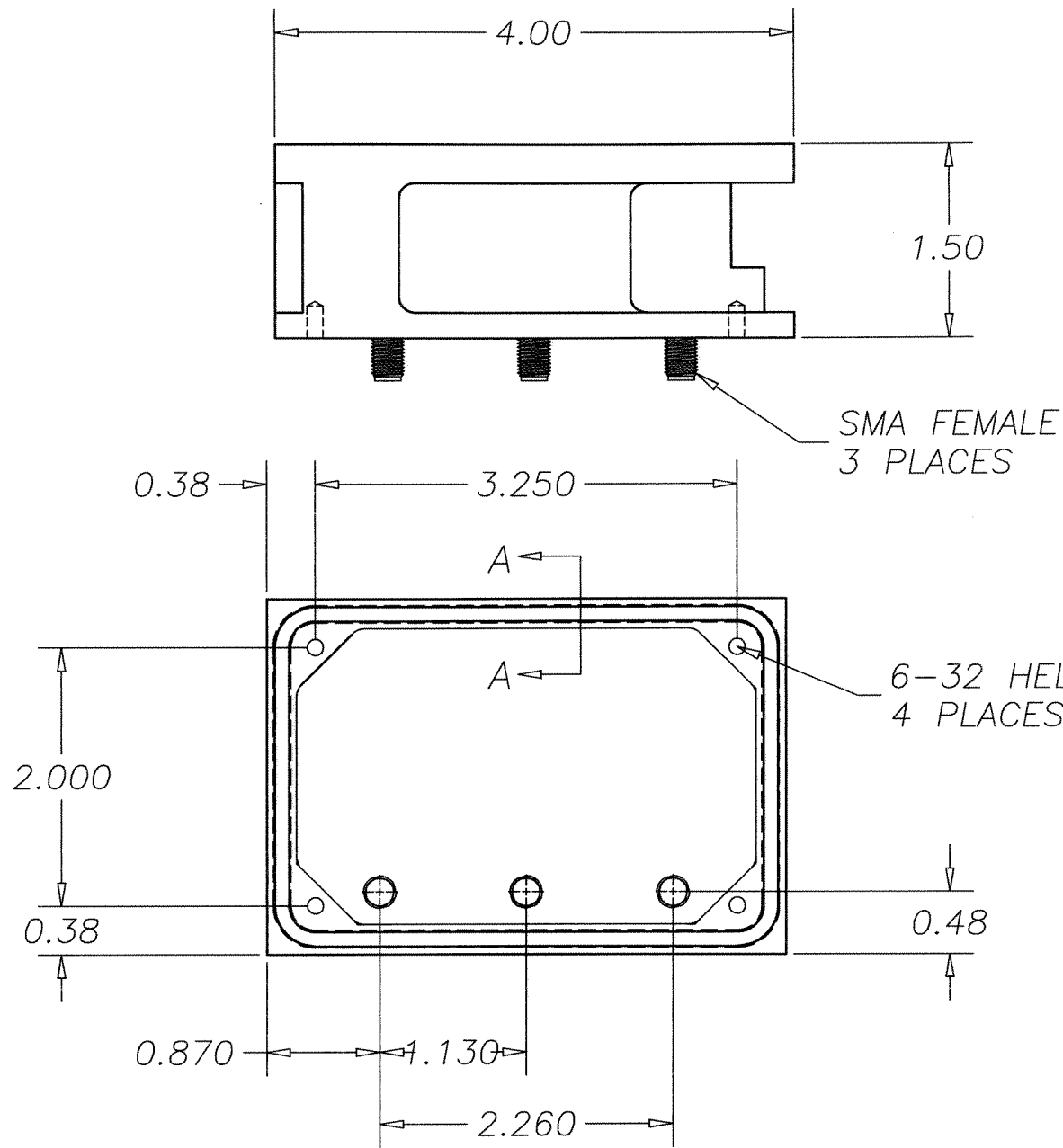


THIS DOCUMENT CONTAINS INFORMATION PROPRIETARY TO DELTA MICROWAVE. ANY REPRODUCTION OF THIS DOCUMENT WITHOUT WRIT- TEN PERMISSION IS EXPRESSLY PROHIBITED.

REVISIONS				
ZONE	REV	DESCRIPTION	DATE	APPROVED
	A	RELEASED	01/17/00	



VIEW A-A
SCALE:4X

2. MARKING: USING BLACK WARNOW INK TO INCLUDE: DELTA MICROWAVE, MODEL NO., SERIAL NO., CODE IDENT. NO. 51719 AND DATE CODE

1: FINISH: HAZE GRAY EPOXY POLYAMIDE TOPCOAT PER MIL-P-24441B TYP.1 (AS) COLOR NO.26270, FORMULA 151 PER MIL-P-24441/1C, QPL 24441-103 USING EPOXY POLYAMIDE PRIMER PER MIL-P-24441B TYP.1 24272 GREEN FORMULA 150 PER MIL-P-24441/1C, QPL 24441-103

NOTES:

QTY REQD	CODE IDENT	PART OR IDENTIFYING NO.	NOMENCLATURE OR DESCRIPTION	MATERIAL SPECIFICATION
PARTS LIST				
UNLESS OTHERWISE SPECIFIED DIMENSIONS ARE IN INCHES TOLERANCES ARE: FRACTIONS DECIMALS ANGLES + .xx ±.01 + - .xxx ±.005 -			CONTRACT NO. L5634	DELTA MICROWAVE 1301 VANGUARD DR. OXNARD CALIFORNIA 93033
APPROVALS		DATE	TITLE OUTLINE	
DRAWN D.F.ESTABROOK		01/17/00		
CHECKED				
MATERIAL		APPROVED 	SIZE B	CODE IDENT NO. 51719
FINISH L5634			DRAWING NO. L5634	
USED ON MODEL#		DO NOT SCALE DRAWING	SCALE 3/4	SHEET 1 OF 1