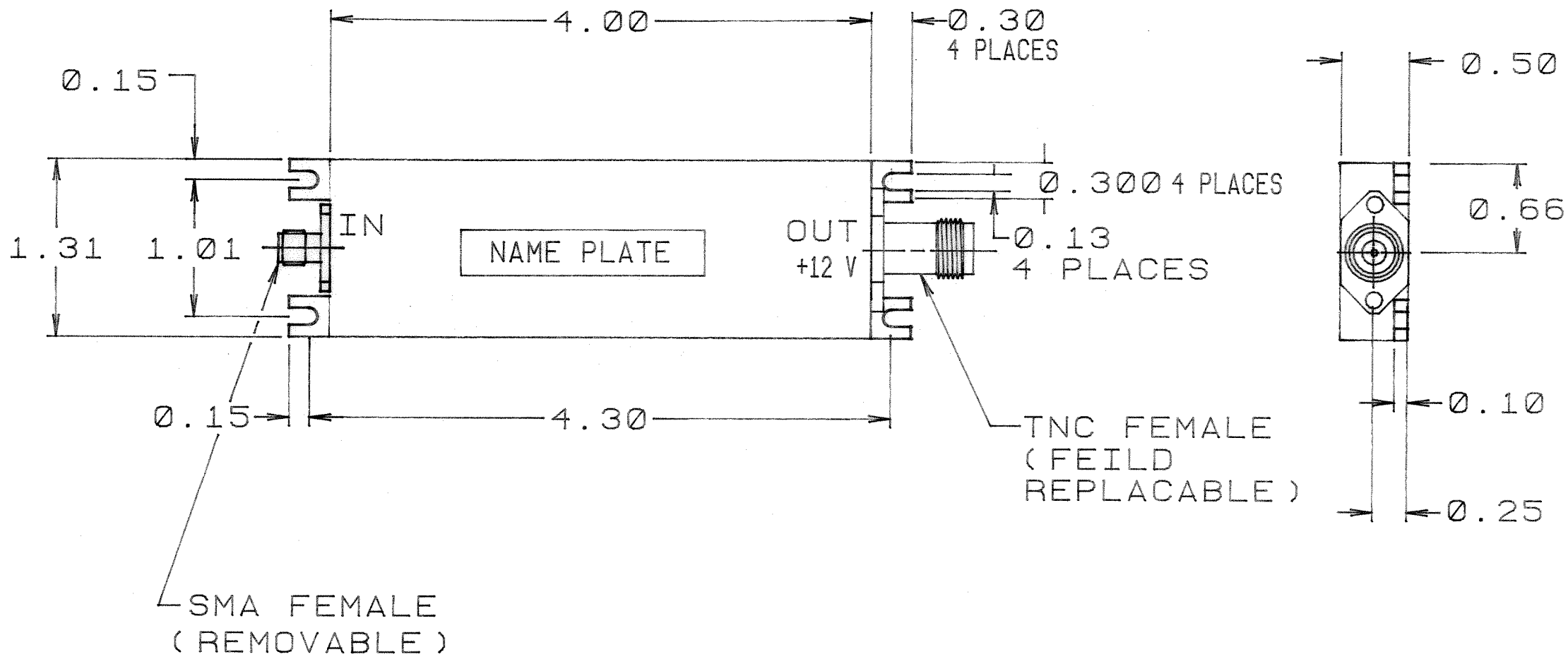


THIS DOCUMENT CONTAINS INFORMATION PROPRIETARY TO DELTA MICROWAVE. ANY REPRODUCTION OF THIS DOCUMENT WITHOUT WRITTEN PERMISSION IS EXPRESSLY PROHIBITED.

REVISIONS				
ZONE	LTR	DESCRIPTION	DATE	APPROVED
	A	RELEASED	8/17/93	



ELECTRICAL SPECIFICATIONS

CH.1	1575.4 ±10 Mhz
CH.2	1227.6 ±10 Mhz
GAIN:	25 ±3dB
VSWR:	1.5:1 Fo ±10 Mhz
REJECTION:	80 dB BANDWITH 200 Mhz MAX
NOISE FIGURE:	4.0 dB MAX
OPERATING TEMPERATURE:	-54° to +85° C
POWER:	9-12V @ 60mA

2. MARKING: DELTA MICROWAVE, MODEL NO., SERIAL NO., CODE IDENT. NO. 51719 AND DATE CODE.

1. FINISH: GREY POLYURETHANE COATING PER MIL-C-81773 (AS) COLOR NO. 16440, PER FED-STD-595 USING EPOXY PRIMER PER MIL-P-23377C

NOTES:

QTY REQD	CODE IDENT	PART OR IDENTIFYING NO.	NOMENCLATURE OR DESCRIPTION	MATERIAL SPECIFICATION
PARTS LIST				
UNLESS OTHERWISE SPECIFIED DIMENSIONS ARE IN INCHES TOLERANCES ARE: FRACTIONS DECIMALS ANGLES ± .XX .02 ± .XXX ±0.10		CONTRACT NO. L5629	DELTA MICROWAVE 840 VIA ALONDRA CAMARILLO, CALIFORNIA 93010	
MATERIAL		APPROVALS	DATE	DUAL FILTER, AMPLIFIER
FINISH 1		DRAWN		
DO NOT SCALE DRAWING		CHECKED		
SIZE	CODE IDENT NO.	DRAWING NO.		
B	51719	L5629-TNC		
SCALE 1 : 1			SHEET 1 OF 1	