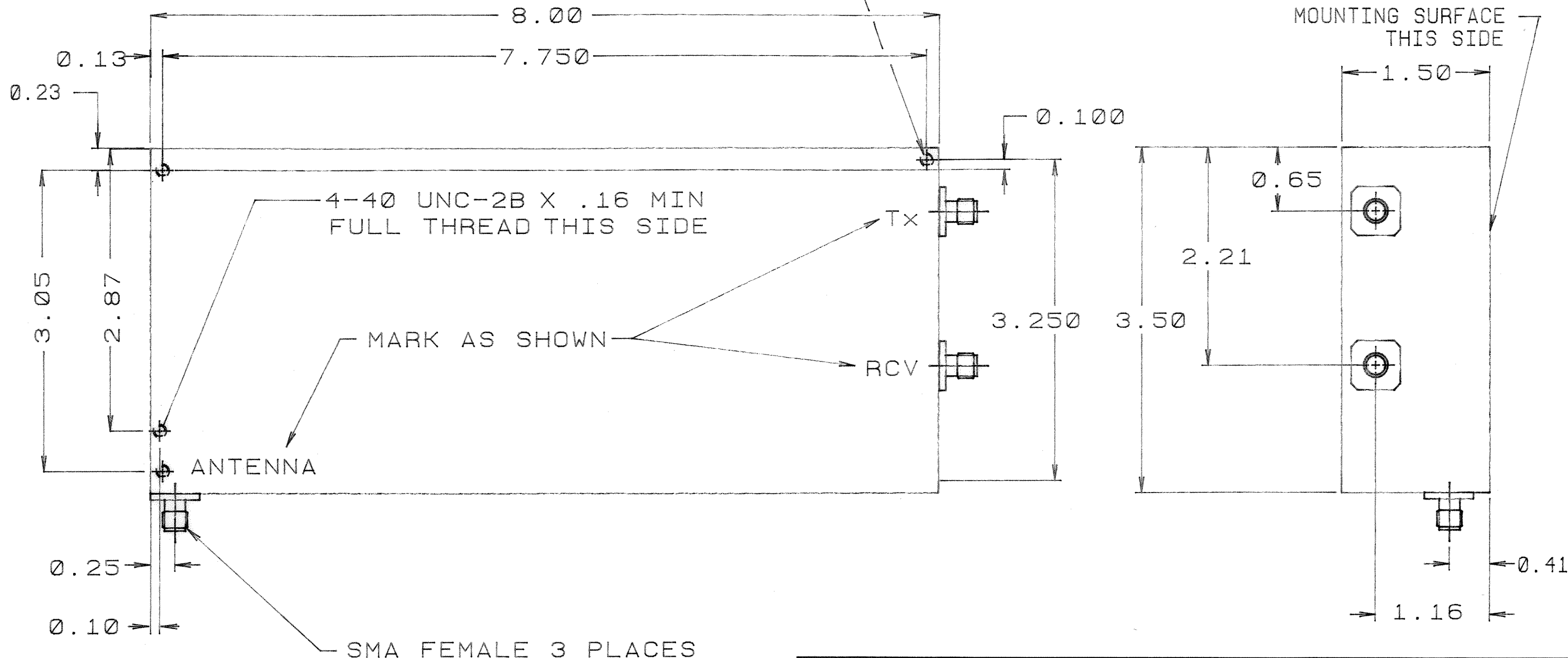


THIS DOCUMENT CONTAINS INFORMATION PROPRIETARY TO DELTA MICROWAVE. ANY REPRODUCTION OF THIS DOCUMENT WITHOUT WRITTEN PERMISSION IS EXPRESSLY PROHIBITED.

6-32 UNC-2B  
 X 0.250 DEEP FULL THD  
 4 PLACES (FAR SIDE)

REVISIONS				
ZONE	LTR	DESCRIPTION	DATE	APPROVED
	E	ECO 103596	8/4/93	<i>[Signature]</i>



2. MARKING: USING BLACK WORNOW INK, TO INCLUDE:  
 DELTA MICROWAVE, MODEL NO., SERIAL NO., 576685-001  
 CODE IDENT. NO. 51719 AND DATE CODE.

1. FINISH: GREY POLYURETHANE COATING PER MIL-C-81773  
 (AS) COLOR NO. 16440, PER FED-STD-595  
 USING EPOXY PRIMER PER MIL-P-23377C

NOTES:

QTY REQD	CODE IDENT	PART OR IDENTIFYING NO.	NOMENCLATURE OR DESCRIPTION	MATERIAL SPECIFICATION
PARTS LIST				
UNLESS OTHERWISE SPECIFIED DIMENSIONS ARE IN INCHES TOLERANCES ARE:		CONTRACT NO. L5624	<b>DELTA MICROWAVE</b> 840 VIA ALONDRA CAMARILLO, CALIFORNIA 93010	
FRACTIONS DECIMALS ANGLES ± .XX ± .02 ± .XXX ± .010		APPROVALS	DATE	OUTLINE DRAWING
MATERIAL		CHECKED <i>[Signature]</i>	12-23-92	
FINISH				
DO NOT SCALE DRAWING		SCALE 1 : 1	CODE IDENT NO. <b>51719</b>	DRAWING NO. <b>L5524</b>
			SHEET 1	OF 1