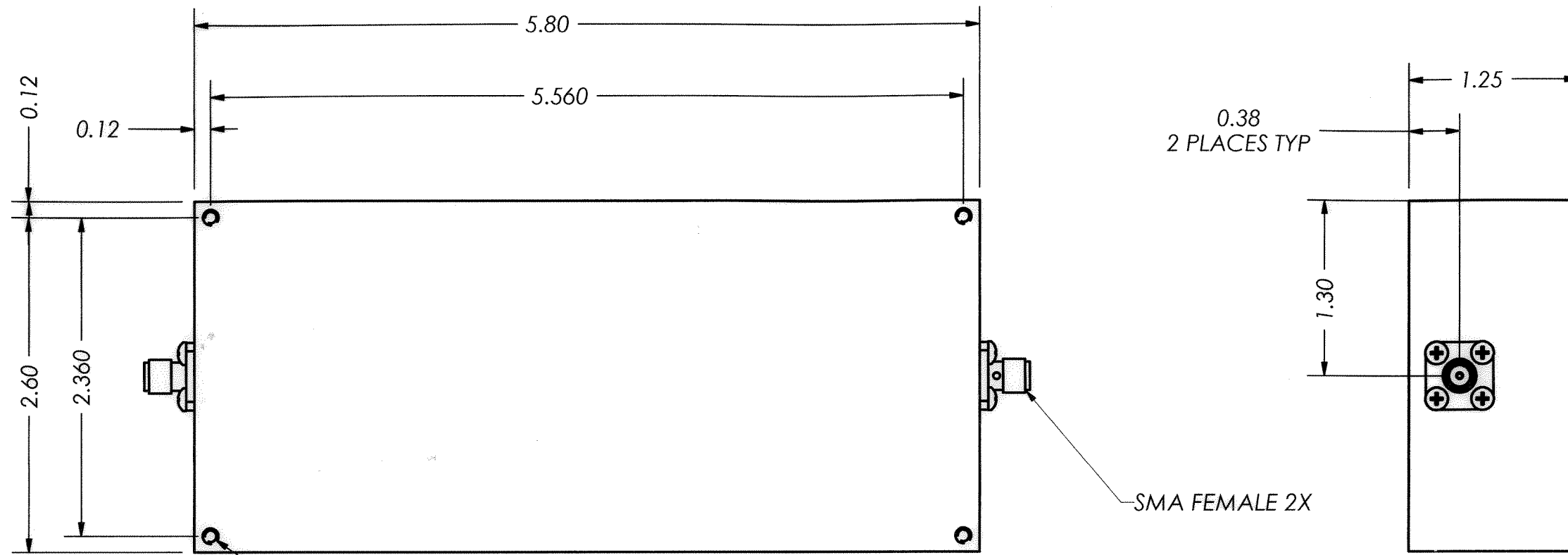


THIS DOCUMENT CONTAINS INFORMATION PROPRIETARY TO DELTA MICROWAVE. ANY REPRODUCTION WITHOUT WRITTEN PERMISSION IS EXPRESSLY PROHIBITED.

ZONE	REV	DESCRIPTION	DATE	APPROVED
	A	RELEASED	03/03/03	<i>g</i>



4-40 UNC - 2B ± 0.250
4 PLACES FAR SIDE

SMA FEMALE 2X

2. MARKING: USING CLEAR LABEL WITH BLACK CHARACTERS TO INCLUDE DELTA MICROWAVE, MODEL NO., SERIAL NO. CODE IDENT. NO. 51719 AND DATE CODE

1. FINISH: HAZE GRAY EPOXY POLYAMIDE TOPCOAT PER MIL-P-24441B TYP. 1 (AS) COLOR NO. 26270, FORMULA 151 PER MIL-P-24441/1C, QPL 24441-103 USING EPOXY POLYAMID PRIMER PER MIL-P-2441B TYP. 1 24272 GREEN FORMULA 150 PER MIL-P-24441/1C, QPL 24441-103

NOTES:

UNLESS OTHERWISE SPECIFIED DIMENSIONS ARE IN INCHES TOLERANCES ARE: FRACTIONS DECIMALS ANGLES + .xx ± .03 + - .xxx ± .010 -	CONTRACT NO.	L5540		DELTA MICROWAVE 1301 VANGUARD DRIVE OXNARD, CA 93033	
	APPROVALS	DATE	TITLE		
	MATERIAL	DRAWN	M.D. JUE	03/03/03	L5540 OUTLINE
	FINISH	CHECKED	<i>[Signature]</i>	3/4/03	
USED ON MODEL#	DO NOT SCALE DRAWING	APPROVED	<i>[Signature]</i>	3/4/03	
SCALE		SIZE	CODE IDENT NO.	DWG NO.	
FULL		B	51719	L5540	
SHEET		1		OF 1	