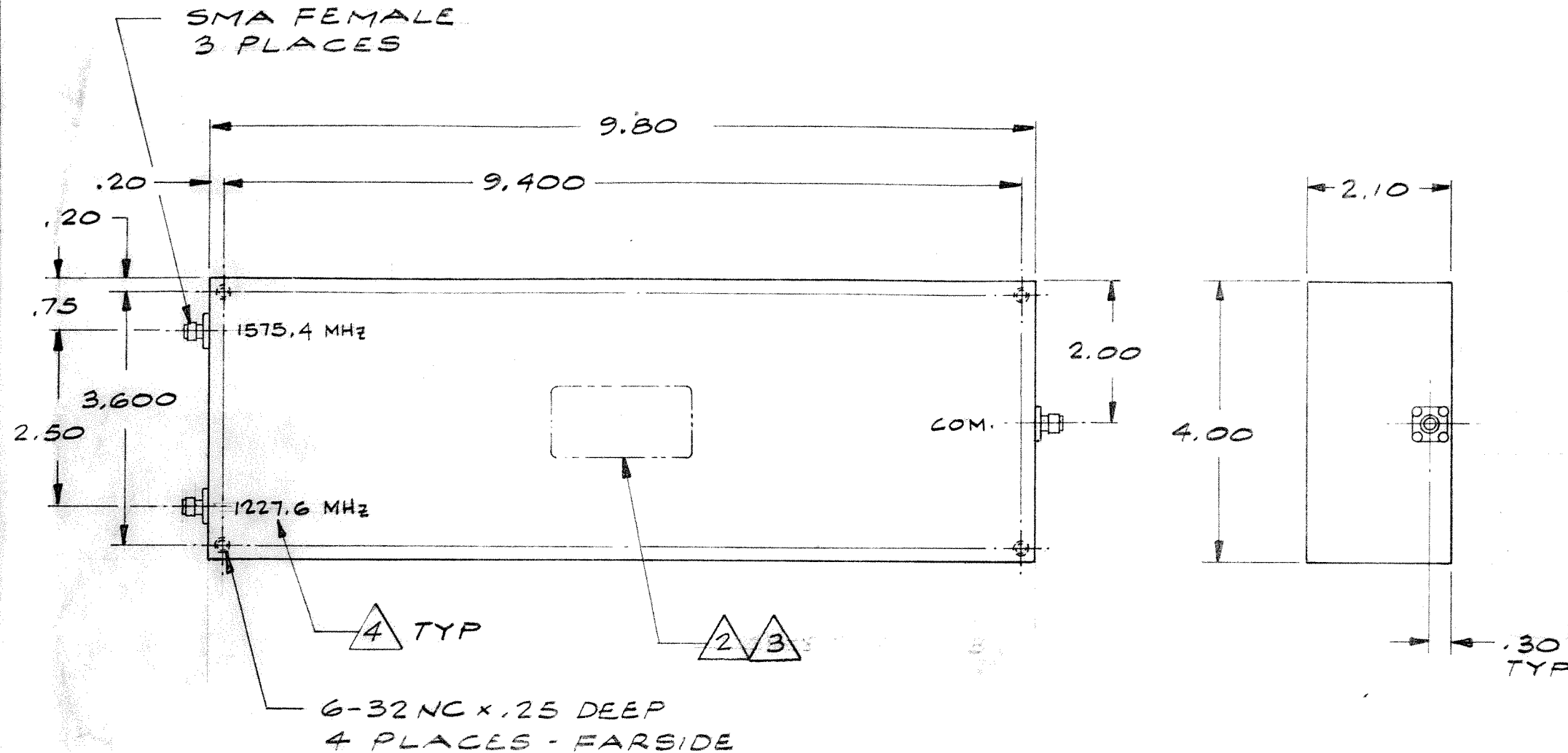


THIS DOCUMENT CONTAINS INFORMATION PROPRIETARY TO DELTA MICROWAVE. ANY REPRODUCTION OF THIS DOCUMENT WITHOUT WRITTEN PERMISSION IS EXPRESSLY PROHIBITED.

REVISION				
LTR	ECO	DESCRIPTION	DATE	APPROVED
A		RELEASED	11-2-82	RVA



SPECIFICATIONS	
Center Frequencies	1575.4 and 1227.6 MHz
Passband Insertion Loss	0.45 db Max. over center 16 MHz
VSWR	1.25:1 Max. over center 18 MHz
Passband Ripple	0.2 db Max. over center 18 MHz
Group Delay Variation	7.5 nsec Max. over center 16 MHz
Isolation between Channels	60 db Min. over center 16 MHz
3 db Bandwidth	26 MHz Min., 34 MHz Max.
70 db Bandwidth	140 MHz Max.

OUTLINE DRAWING

3. MARK PER NOTE 2 WITH APPROPRIATE MODEL NO. & SERIAL NO.

2. STENCIL $\pm .03$ HIGH CHARACTERS WITH BLACK WORNOW INK.

1. FINISH: GREY POLYURETHANE COATING PER MIL-C-81773 (AS) USING EPOXY PRIMER MIL-P-23377C, (COLOR NO. 16440 PER FED-STD-595), MASK CONNECTORS AND MTG HOLES.

NOTES:

DIM. ARE IN INCHES
 FRACT. $\pm 1/32$ ANG $\pm 0^\circ 30'$
 TOL. XX $\pm .02$.XXX $\pm .010$

DO NOT SCALE DRAWING

CONTR. NO.	DELTA MICROWAVE		
DR. <i>J. Alvey 11-2-82</i>	31829 W. LA TIENDA		
CHK. <i>RVA 10-7-75</i>	WESTLAKE VILLAGE, CALIFORNIA 91361		
DSGN.	DIPLEXER, L-BAND		
APPD. <i>RVA 10-7-75</i>	SIZE	CODE IDENT. NO.	
APPD.	B	51719	L5513
APPD.	SCALE 1/2	WEIGHT	SHEET