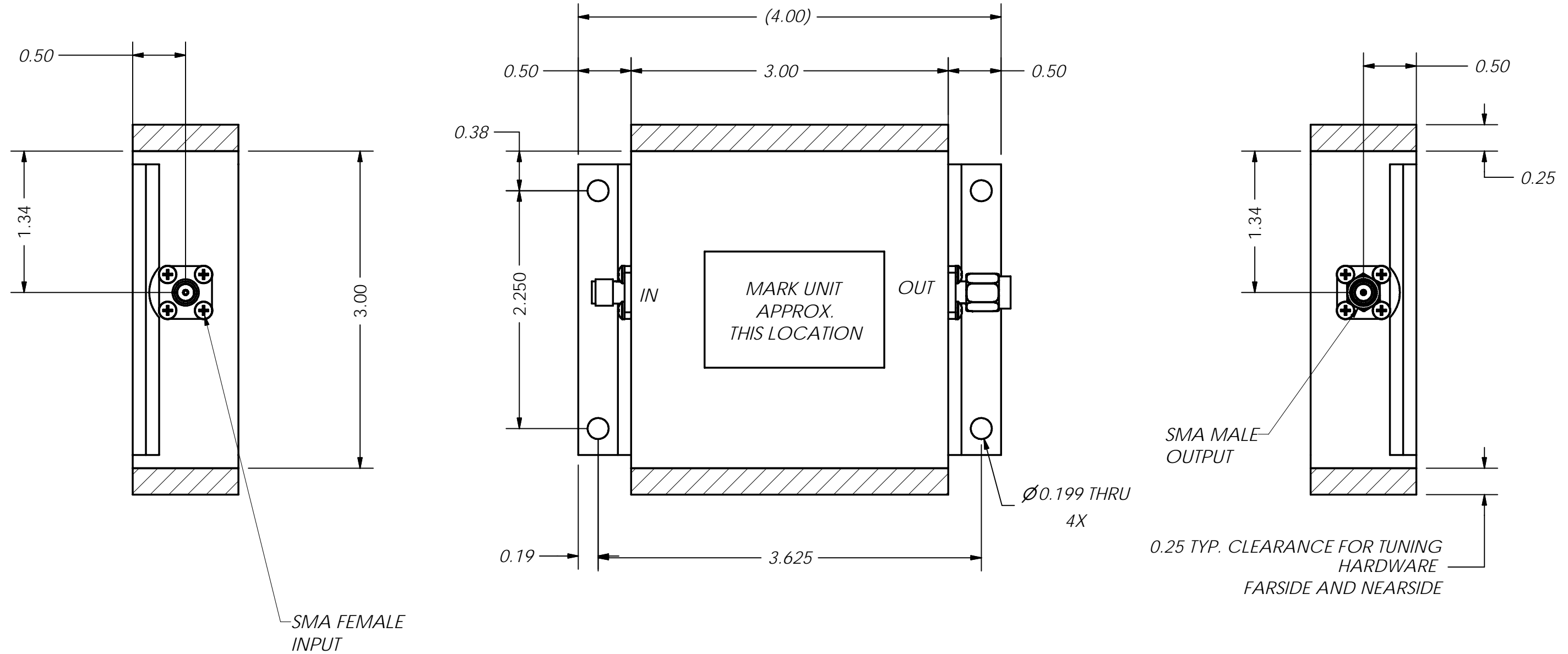


THIS DOCUMENT CONTAINS INFORMATION PROPRIETARY TO DELTA MICROWAVE. ANY REPRODUCTION WITHOUT WRITTEN PERMISSION IS EXPRESSLY PROHIBITED.

JOB # 5125

ZONE	REV	DESCRIPTION	DATE	APPROVED
	A	PRELIMINARY RELEASE	10/28/05	D.R.B.
	B	ECO#106845	12/01/05	



2. MARKING: USING LABEL OR BLACK WARNOW INK TO INCLUDE:
DELTA MICROWAVE, MODEL NO., SERIAL NO.,
CODE IDENT. NO. 51719 AND DATE CODE

1: FINISH: HAZE GRAY EPOXY POLYAMIDE TOPCOAT
PER MIL-DTL-24441C, SUP.1
MIL-DTL-24441/21, TYP 3, FORMULA 151
USING GREEN EPOXY POLYAMIDE PRIMER
MIL-DTL-24441/20, TYP 3, FORMULA 150

NOTES:

UNLESS OTHERWISE SPECIFIED
DIMENSIONS ARE IN INCHES
TOLERANCES ARE:
FRACTIONS DECIMALS ANGLES
+ .xx ± .03 +
- .xxx ± .010 -

CONTRACT NO. L54144

APPROVALS DATE

DRAWN D.F. ESTABROOK 10/28/05

REVISED D.F. ESTABROOK 12/01/05

CHECKED

APPROVED

FINISH

USED ON MODEL#

DO NOT SCALE DRAWING



Delta Microwave Inc.

1301 VANGUARD DRIVE OXNARD, CA 93033

TITLE

L54144 OULINE

SIZE CODE IDENT NO. DWG NO

B 51719 L54144

SCALE 1:1 SHEET 1 OF 1