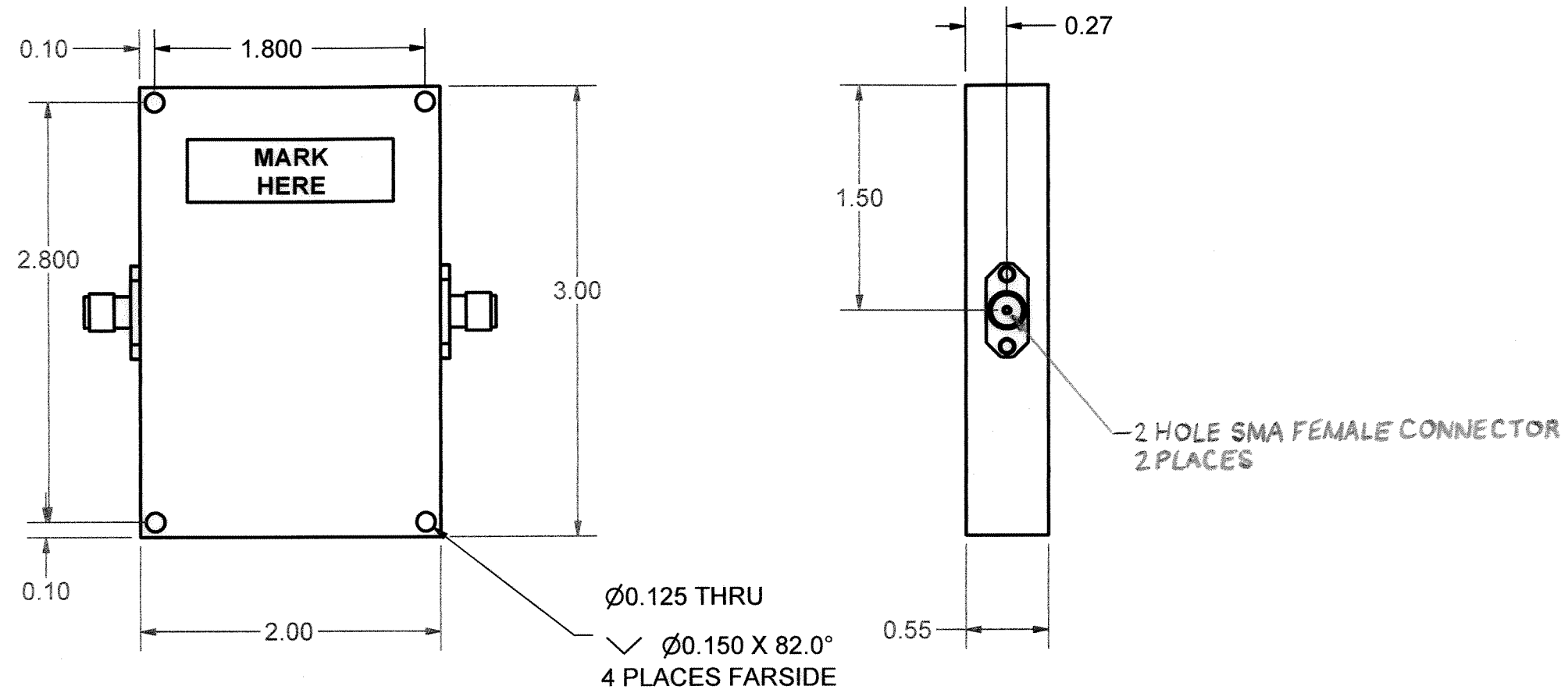


THIS DOCUMENT CONTAINS INFORMATION PROPRIETARY TO DELTA MICROWAVE. ANY REPRODUCTION OF THIS DOCUMENT WITHOUT WRITTEN PERMISSION IS EXPRESSLY PROHIBITED.

ZONE	REV	DISCRIPTION	DATE	APPROVED
	A	RELEASED	03/11/02	<i>[Signature]</i>



2. MARKING: USING BLACK WARNOW INK TO INCLUDE:  
DELTA MICROWAVE, MODEL NO., SERIAL NO.,  
CODE IDENT. NO. 51719 AND DATE CODE

1: FINISH: HAZE GRAY EPOXY POLYAMIDE TOPCOAT  
PER MIL-DTL-24441C, SUP.1  
MIL-DTL-2441/21A, TYP 3, FORMULA 151  
USING GREEN EPOXY POLYAMIDE PRIMER  
MIL-DTL-2441/20A, TYP 3, FORMULA 150

NOTES:

UNLESS OTHERWISE SPECIFIED DIMENSIONS ARE IN INCHES TOLERANCES ARE: FRACTIONS    DECIMALS    ANGLES +                .xx ± .03            + -                .xxx ± .010        -	CONTRACT NO. <b>L54132</b>	<b>DELTA MICROWAVE</b> 1301 VANGUARD DRIVE OXNARD, CA 93033	
	APPROVALS	DATE	TITLE
	DRAWN <i>N. GASTRO</i>	03/11/02	<b>OUTLINE</b>
	CHECKED <i>[Signature]</i>	3/11/02	
MATERIAL	APPROVED <i>[Signature]</i>	3/11/02	
FINISH		SIZE <b>B</b>	CODE IDENT NO. <b>51719</b>
			DWG NO. <b>L54132</b>
USED ON MODEL#	DO NOT SCALE DRAWING	SCALE 1/1	SHEET 1 OF 1