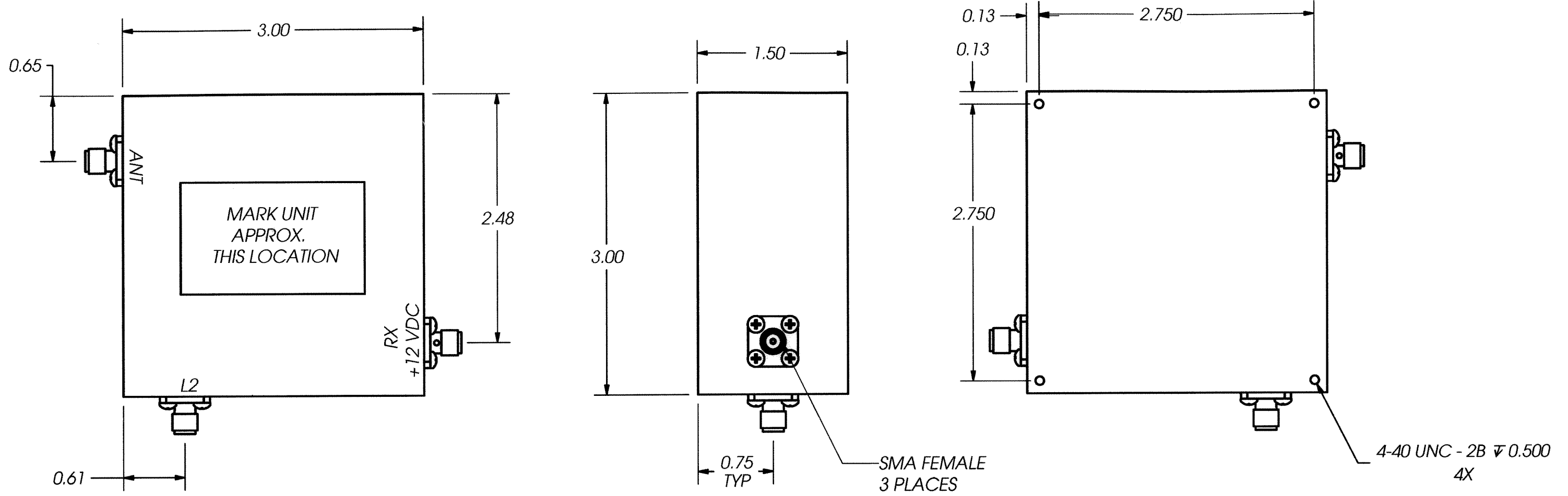


THIS DOCUMENT CONTAINS INFORMATION PROPRIETARY TO DELTA MICROWAVE. ANY REPRODUCTION WITHOUT WRITTEN PERMISSION IS EXPRESSLY PROHIBITED.

ZONE	REV	DESCRIPTION	DATE	APPROVED
	A	FIRST RELEASE	08/18/03	



2. MARKING: USING BLACK WARNOW INK TO INCLUDE DELTA MICROWAVE, MODEL NO., SERIAL NO. CODE IDENT. NO. 51719 AND DATE CODE

1. FINISH: HAZE GRAY EPOXY POLYAMIDE TOPCOAT PER MIL-P-24441B TYP. 1 (AS) COLOR NO. 26270, FORMULA 151 PER MIL-P-24441/1C, QPL 24441-103 USING EPOXY POLYAMID PRIMER PER MIL-P-2441B TYP. 1 24272 GREEN FORMULA 150 PER MIL-P-24441/1C, QPL 24441-103

NOTES:

UNLESS OTHERWISE SPECIFIED DIMENSIONS ARE IN INCHES TOLERANCES ARE: FRACTIONS DECIMALS ANGLES + .xx ± .03 - .xxx ± .010	CONTRACT NO. L54129		<b>DELTA MICROWAVE</b> 1301 VANGUARD DRIVE OXNARD, CA 93033
	APPROVALS	DATE	
	MATERIAL	DRAWN J.A. DEHORTA	08/18/03
FINISH	CHECKED	8/25/03	L54129 OUTLINE
USED ON MODEL#	APPROVED	8/26/03	
DO NOT SCALE DRAWING	SIZE B	CODE IDENT NO. 51719	DWG NO. L54129
	SCALE 1:1	SHEET 1 OF 1	