

4

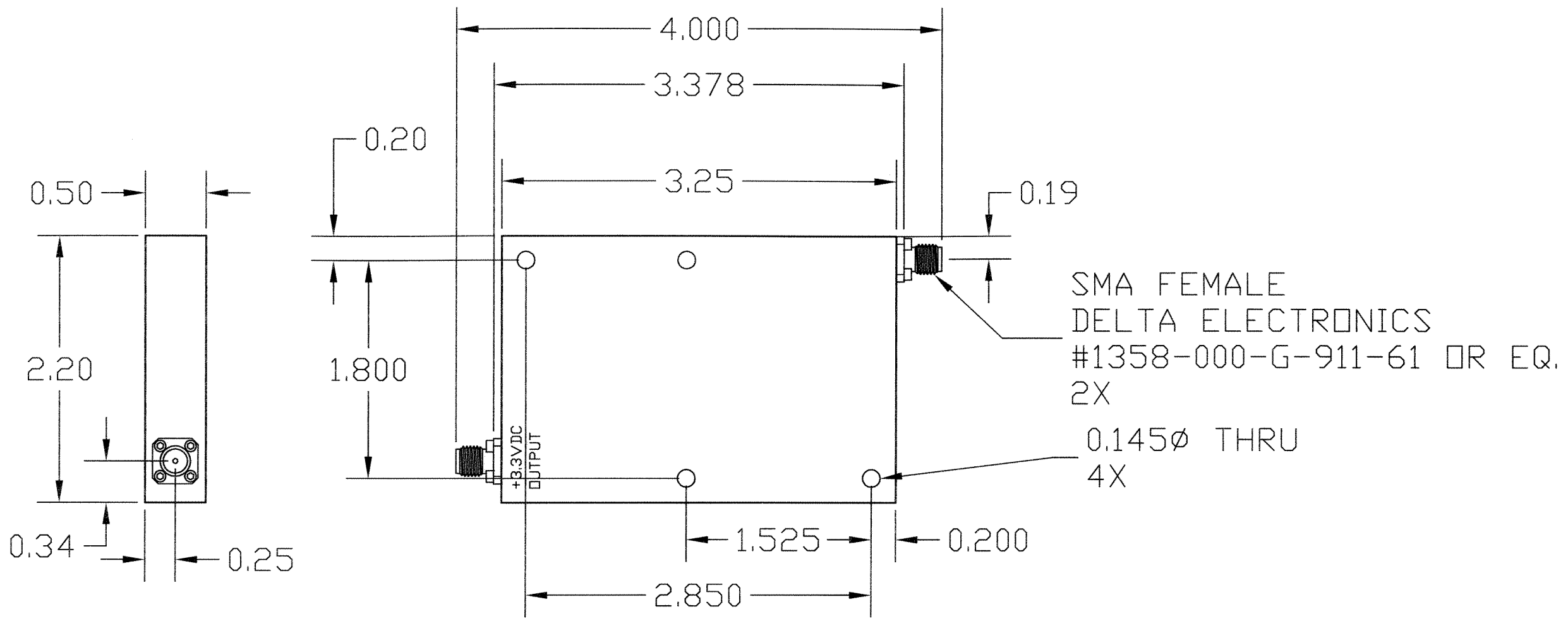
3

2

1

THIS DOCUMENT CONTAINS INFORMATION PROPRIETARY TO DELTA MICROWAVE. ANY REPRODUCTION OF THIS DOCUMENT WITHOUT WRIT- TEN PERMISSION IS EXPRESSLY PROHIBITED.

REVISIONS				
ZONE	REV	DESCRIPTION	DATE	APPROVED
	A	RELEASED	08/01/01	R.E.S.
	B	ECO#105843	01/29/02	



2. MARKING: USING BLACK WARNOW INK TO INCLUDE: DELTA MICROWAVE, MODEL NO., SERIAL NO., CODE IDENT. NO. 51719 AND DATE CODE

1: FINISH: HAZE GRAY EPOXY POLYAMIDE TOPCOAT PER MIL-P-24441B TYP.1 (AS)COLOR NO.26270,FORMULA 151 PER MIL-P-24441/1C,QPL 24441-103 USING EPOXY POLYAMIDE PRIMER PER MIL-P-24441B TYP.1 24272 GREEN FORMULA 150 PER MIL-P-24441/1C,QPL 24441-103

NOTES:

QTY REQD	CODE IDENT	PART OR IDENTIFYING NO.	NOMENCLATURE OR DESCRIPTION	MATERIAL SPECIFICATION
PARTS LIST				
UNLESS OTHERWISE SPECIFIED DIMENSIONS ARE IN INCHES TOLERANCES ARE: FRACTIONS DECIMALS ANGLES + .XX ± .03 ± - .XXX ± .010 -		CONTRACT NO. L54128	DELTA microwave 1301 VANGUARD DR. OXNARD CALIFORNIA 93033	
MATERIAL		APPROVALS DRAWN D.R.BOWLER	DATE 08/01/01	TITLE OUTLINE
FINISH		CHECKED <i>MLC</i>	DATE 1/30/02	
DO NOT SCALE DRAWING		APPROVED <i>[Signature]</i>	DATE 2/9/02	SIZE B
				CODE IDENT NO. 51719
				DRAWING NO. L54128
				SCALE FULL
				SHEET 1 OF 1

4

3

2

1