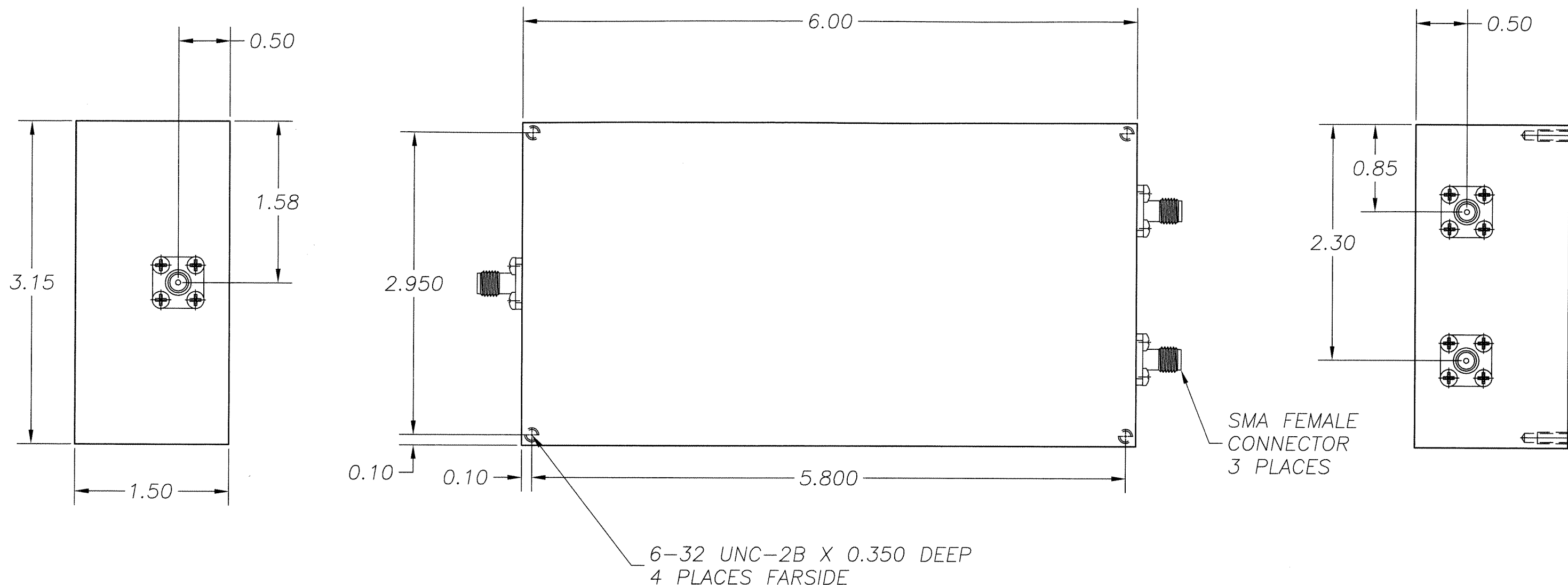


THIS DOCUMENT CONTAINS INFORMATION PROPRIETARY TO DELTA MICROWAVE. ANY REPRODUCTION OF THIS DOCUMENT WITHOUT WRITTEN PERMISSION IS EXPRESSLY PROHIBITED.

REVISIONS				
ZONE	REV	DESCRIPTION	DATE	APPROVED
	A	RELEASED	03/23/99	
	B	ECO#104713 CHANGED MOUNTING TO 6-32 X .350 DEEP PER CUSTOMER REQUEST	04/05/99	



2. MARKING: USING BLACK WARNOW INK TO INCLUDE:
DELTA MICROWAVE, MODEL NO., SERIAL NO.,
CODE IDENT. NO. 51719 AND DATE CODE

1: FINISH: HAZE GRAY EPOXY POLYAMIDE TOPCOAT
PER MIL-P-24441B TYP.1
(AS)COLOR NO.26270, FORMULA 151
PER MIL-P-24441/1C, QPL 24441-103
USING EPOXY POLYAMIDE PRIMER
PER MIL-P-24441B TYP.1 24272 GREEN
FORMULA 150 PER MIL-P-24441/1C, QPL 24441-103

NOTES:

QTY REQD	CODE IDENT	PART OR IDENTIFYING NO.	NOMENCLATURE OR DESCRIPTION	MATERIAL SPECIFICATION	
PARTS LIST					
UNLESS OTHERWISE SPECIFIED DIMENSIONS ARE IN INCHES TOLERANCES ARE: FRACTIONS DECIMALS ANGLES + .XX ±.01 + - .XXX ±.005 -		CONTRACT NO. L54107	APPROVALS	DATE	DELTA microwave DELTA MICROWAVE 1301 VANGUARD DR. OXNARD CALIFORNIA 93033
MATERIAL		CHECKED <i>[Signature]</i>	DATE 4/5/99	TITLE OUTLINE	
FINISH		APPROVED <i>[Signature]</i>	DATE 4/5/99	SIZE B	
L54107				CODE IDENT NO. 51719	
USED ON MODEL#		DO NOT SCALE DRAWING		DRAWING NO. L54107	
			SCALE FULL	SHEET 1 OF 1	