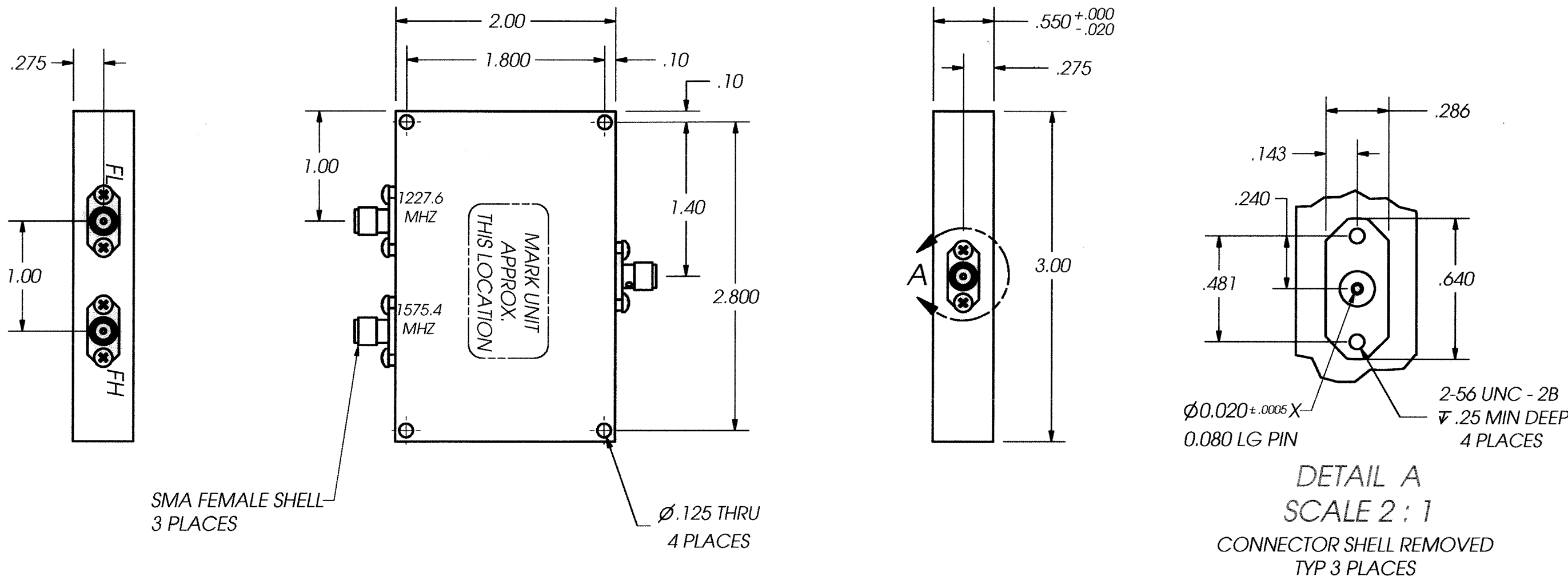


THIS DOCUMENT CONTAINS INFORMATION PROPRIETARY TO DELTA MICROWAVE. ANY REPRODUCTION WITHOUT WRITTEN PERMISSION IS EXPRESSLY PROHIBITED.

ZONE	REV	DESCRIPTION	DATE	APPROVED
	A	RELEASED	10/07/75	R.E.S.
	B	REVISED MARKING	11/20/75	R.E.S.
	C	REVISED MARKING	11/25/75	R.E.S.
	D	REVISED PAINT (NOTE 1) ADDED DETAIL "A"	12/18/85	R.E.S.
	E	ECO#101898	03/11/86	R.E.S.
	F	ECO#105464	02/13/01	R.E.S.
	G	ECO#106272	10/02/03	



DETAIL A  
SCALE 2 : 1  
CONNECTOR SHELL REMOVED  
TYP 3 PLACES

2. MARKING: USING CLEAR LABEL WITH BLACK CHARACTERS TO INCLUDE DELTA MICROWAVE, MODEL NO., SERIAL NO. CODE IDENT. NO.51719 AND DATE CODE

1. FINISH: HAZE GRAY EPOXY POLYAMIDE TOPCOAT PER MIL-P-24441B TYP.1 (AS) COLOR NO. 26270, FORMULA 151 PER MIL-P24441-1C, QPL 24441-103 USING EPOXY POLYAMIDE PRIMER PER MIL-P-24441B TYP 1 24272 GREEN FORMULA 150 PER MIL-P-24441/1C, QPL 24441-103

NOTES:

UNLESS OTHERWISE SPECIFIED DIMENSIONS ARE IN INCHES TOLERANCES ARE: FRACTIONS    DECIMALS    ANGLES +                .xx ± .01    + -                .xxx ± .005    -	CONTRACT NO. L5409	DELTA MICROWAVE 1301 VANGUARD DRIVE OXNARD, CA 93033	
	APPROVALS	DATE	TITLE
MATERIAL	DRAWN J.A.DEHORTA	10/02/03	DIPLEXER
FINISH	CHECKED	11/16/02	
USED ON MODEL#	APPROVED	11/18/03	SIZE B
DO NOT SCALE DRAWING			CODE IDENT NO. 51719
			DWG NO L5409
			SCALE 1:1
			SHEET 1 OF 1