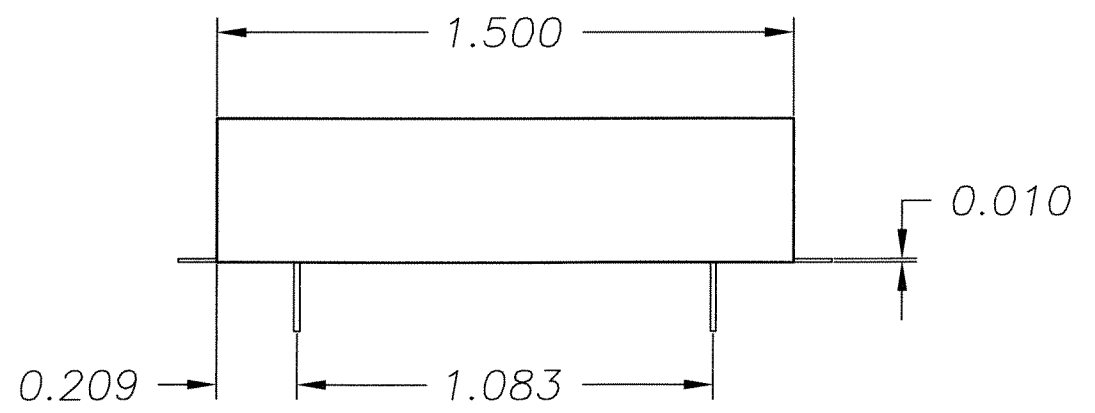
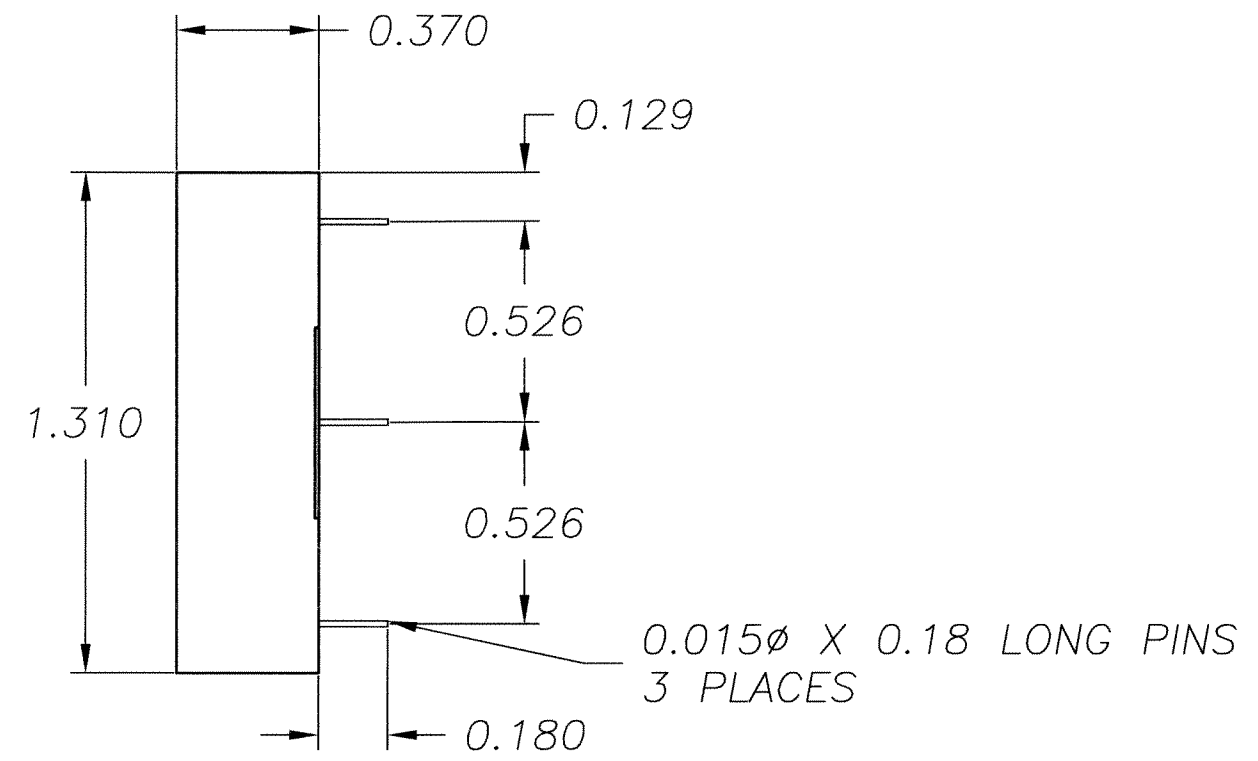
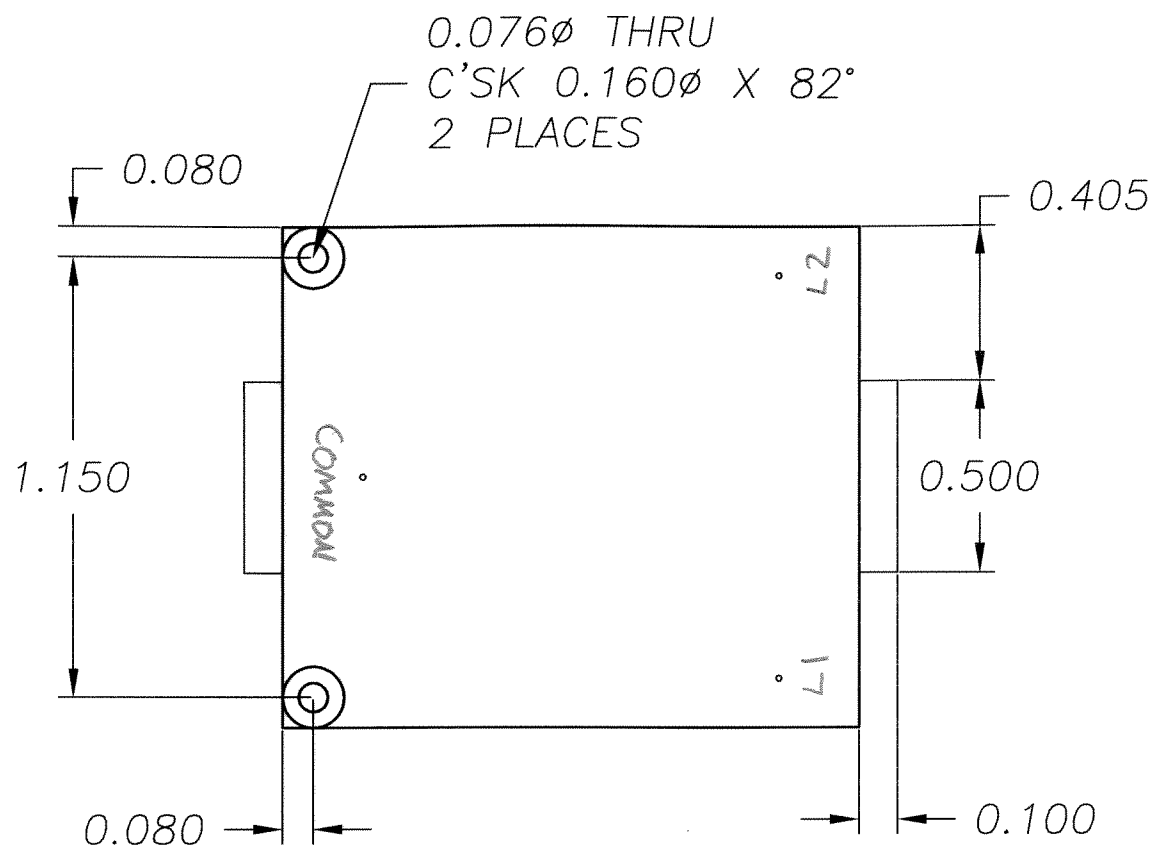


THIS DOCUMENT CONTAINS INFORMATION PROPRIETARY TO DELTA MICROWAVE. ANY REPRODUCTION OF THIS DOCUMENT WITHOUT WRITTEN PERMISSION IS EXPRESSLY PROHIBITED.

REVISIONS				
ZONE	REV	DESCRIPTION	DATE	APPROVED
	A	RELEASED	05/26/98	
	B	REDRAWN CHANGED PIN CONFIGURATION	06/18/98	



2. MARKING: USING BLACK WARNOW INK TO INCLUDE: DELTA MICROWAVE, MODEL NO., SERIAL NO., CODE IDENT. NO. 51719 AND DATE CODE
- 1: FINISH: HAZE GRAY EPOXY POLYAMIDE TOPCOAT PER MIL-P-24441B TYP.1

NOTES:

QTY REQD	CODE IDENT	PART OR IDENTIFYING NO.	NOMENCLATURE OR DESCRIPTION	MATERIAL SPECIFICATION
PARTS LIST				
UNLESS OTHERWISE SPECIFIED DIMENSIONS ARE IN INCHES TOLERANCES ARE: FRACTIONS DECIMALS ANGLES + .XX ±.03 + - .XXX ±.010 -		CONTRACT NO. L5331	DELTA microwave	DELTA MICROWAVE 1301 VANGUARD DR. OXNARD CALIFORNIA 93033
APPROVALS		DATE	TITLE OUTLINE.	
DRAWN D.F. ESTABROOK		05/26/98		
MATERIAL		CHECKED DKB	6/18/98	
FINISH		APPROVED	SIZE B	CODE IDENT NO. 51719
DO NOT SCALE DRAWING		DRAWING NO. L5331		SHEET 1 OF 1
			SCALE 2/1	