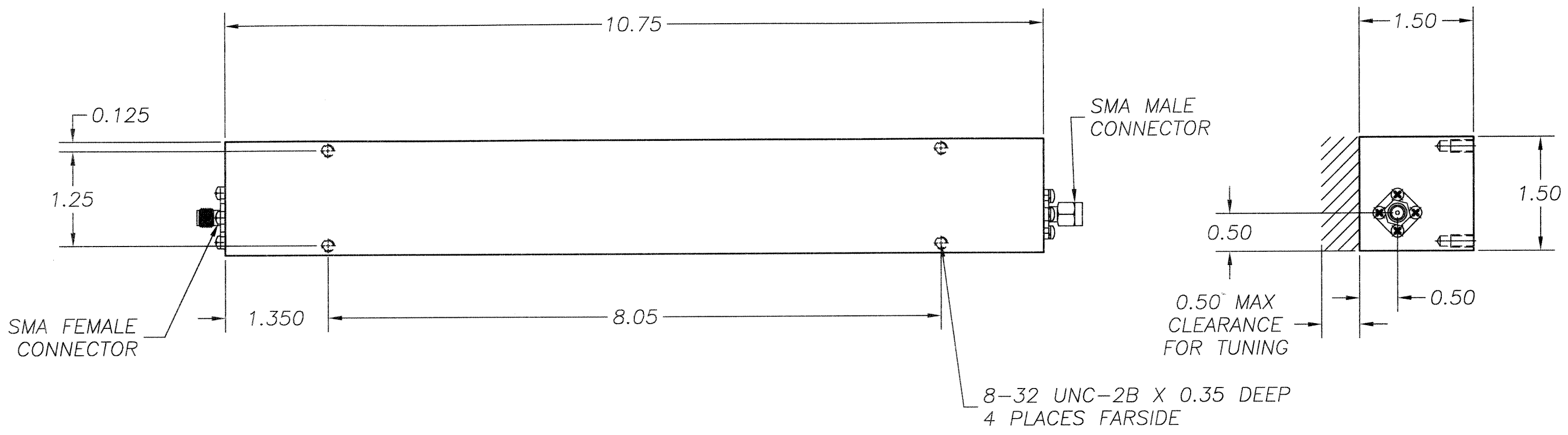


THIS DOCUMENT CONTAINS INFORMATION PROPRIETARY TO DELTA MICROWAVE. ANY REPRODUCTION OF THIS DOCUMENT WITHOUT WRITTEN PERMISSION IS EXPRESSLY PROHIBITED.

REVISIONS				
ZONE	REV	DESCRIPTION	DATE	APPROVED
	A	RELEASED	02/05/02	<i>[Signature]</i>



2. MARKING: USING BLACK TEXT TO INCLUDE:
 DELTA MICROWAVE, MODEL NO., SERIAL NO.,
 CODE IDENT. NO. 51719 AND DATE CODE

1: FINISH: HAZE GRAY EPOXY POLYAMIDE TOPCOAT
 PER MIL-P-24441B TYP.1
 (AS)COLOR NO.26270, FORMULA 151
 PER MIL-P-24441/1C, QPL 24441-103
 USING EPOXY POLYAMIDE PRIMER
 PER MIL-P-24441B TYP.1 24272 GREEN
 FORMULA 150 PER MIL-P-24441/1C, QPL 24441-103

QTY REQD	CODE IDENT	PART OR IDENTIFYING NO.	NOMENCLATURE OR DESCRIPTION	MATERIAL SPECIFICATION
PARTS LIST				
UNLESS OTHERWISE SPECIFIED DIMENSIONS ARE IN INCHES		CONTRACT NO. L2911		DELTA MICROWAVE 1301 VANGUARD DR. OXNARD CALIFORNIA 93033
TOLERANCES ARE:		APPROVALS	DATE	
FRACTIONS	DECIMALS	ANGLES		TITLE <h1 style="text-align: center;">OUTLINE</h1>
+	.XX ±.03	+	DRAWN N.CASTRO 02/05/02	
-	.XXX ±.010	-	CHECKED <i>[Signature]</i> 2/28/02	
MATERIAL		APPROVED <i>[Signature]</i> 2/28/02		SIZE B CODE IDENT NO. 51719 DRAWING NO. L2911
FINISH		L2911		SCALE 3/4 SHEET 1 OF 1
USED ON MODEL#		DO NOT SCALE DRAWING		