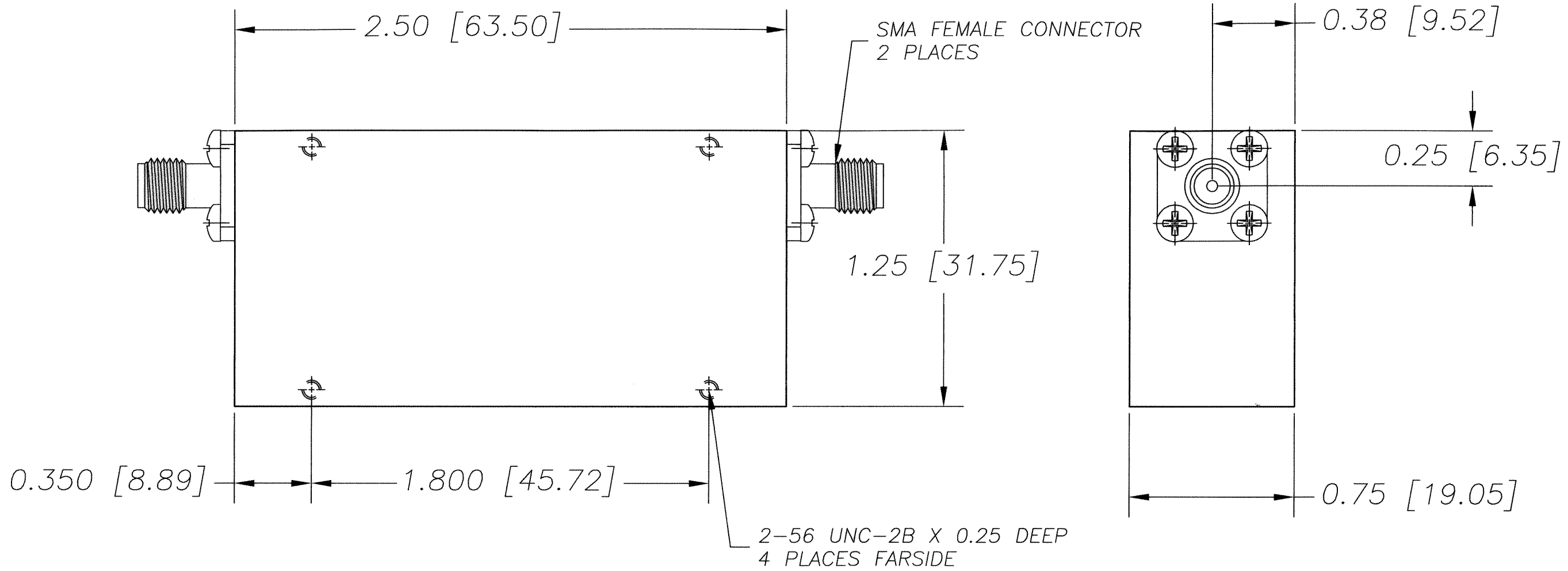


THIS DOCUMENT CONTAINS INFORMATION PROPRIETARY TO DELTA MICROWAVE. ANY REPRODUCTION OF THIS DOCUMENT WITHOUT WRIT- TEN PERMISSION IS EXPRESSLY PROHIBITED.

REVISIONS				
ZONE	REV	DESCRIPTION	DATE	APPROVED
	A	RELEASED	09/08/98	<i>[Signature]</i>



2. MARKING: USING BLACK WARNOW INK TO INCLUDE: DELTA MICROWAVE, MODEL NO., SERIAL NO., CODE IDENT. NO. 51719 AND DATE CODE

1: FINISH: HAZE GRAY EPOXY POLYAMIDE TOPCOAT PER MIL-P-24441B TYP.1 (AS)COLOR NO.26270,FORMULA 151 PER MIL-P-24441/1C,QPL 24441-103 USING EPOXY POLYAMIDE PRIMER PER MIL-P-24441B TYP.1 24272 GREEN FORMULA 150 PER MIL-P-24441/1C,QPL 24441-103

NOTES:

QTY REQD	CODE IDENT	PART OR IDENTIFYING NO.	NOMENCLATURE OR DESCRIPTION	MATERIAL SPECIFICATION
PARTS LIST				
UNLESS OTHERWISE SPECIFIED DIMENSIONS ARE IN INCHES TOLERANCES ARE:			CONTRACT NO. L2512	
FRACTIONS	DECIMALS	ANGLES	APPROVALS	DATE
+	.XX ±.03	+	DRAWN	09/08/98
-	.XXX ±.010	-	D.F.ESTABROOK	
MATERIAL			CHECKED	
FINISH			APPROVED	<i>[Signature]</i> 9/8/98
L2512			<div style="display: flex; justify-content: space-between;"> <div> <p>DELTA MICROWAVE 1301 VANGUARD DR. OXNARD CALIFORNIA 93033</p> </div> <div> <p>TITLE OUTLINE</p> </div> </div>	
USED ON MODEL#				
DO NOT SCALE DRAWING			DRAWING NO. L2512	
			SCALE 2/1	SHEET 1 OF 1