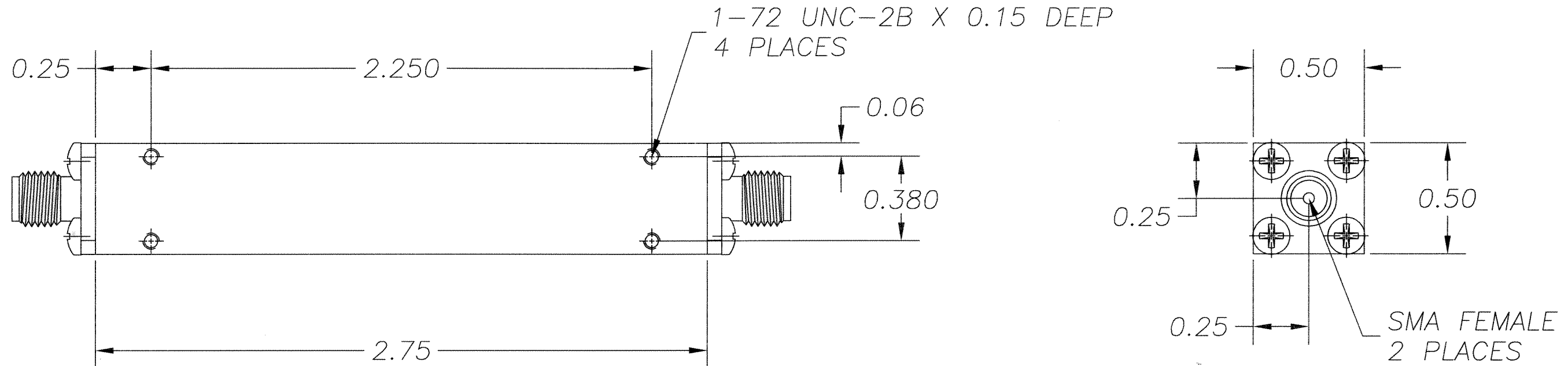


THIS DOCUMENT CONTAINS INFORMATION PROPRIETARY TO DELTA MICROWAVE. ANY REPRODUCTION OF THIS DOCUMENT WITHOUT WRITTEN PERMISSION IS EXPRESSLY PROHIBITED.

REVISIONS				
ZONE	REV	DESCRIPTION	DATE	APPROVED
	A	RELEASED	09/21/99	
	B	CHANGE MARKING PER CUSTOMER REQUEST	09/23/99	



2. MARKING: USING BLACK WARNOW INK TO INCLUDE:
DELTA MICROWAVE, LOWPASS FILTER 4.4 GHZ., SERIAL NO.,
CODE IDENT. NO. 51719 AND DATE CODE

1: FINISH: HAZE GRAY EPOXY POLYAMIDE TOPCOAT
PER MIL-P-24441B TYP.1
(AS)COLOR NO.26270, FORMULA 151
PER MIL-P-24441/1C, QPL 24441-103
USING EPOXY POLYAMIDE PRIMER
PER MIL-P-24441B TYP.1 24272 GREEN
FORMULA 150 PER MIL-P-24441/1C, QPL 24441-103

NOTES:

QTY REQD	CODE IDENT	PART OR IDENTIFYING NO.	NOMENCLATURE OR DESCRIPTION	MATERIAL SPECIFICATION
PARTS LIST				
UNLESS OTHERWISE SPECIFIED DIMENSIONS ARE IN INCHES TOLERANCES ARE: FRACTIONS DECIMALS ANGLES + .xx ±.02 + - .xxx ±.010 -		CONTRACT NO. C3903	DELTA MICROWAVE 1301 VANGUARD DR. OXNARD CALIFORNIA 93033	
MATERIAL		APPROVALS	DATE	TITLE
FINISH		DRAWN D.F. ESTABROOK	09/21/99	OUTLINE
C3903		CHECKED 	9/23/99	SIZE B
USED ON MODEL#		APPROVED 	9/23/99	CODE IDENT NO. 51719
DO NOT SCALE DRAWING		SCALE 2/1		DRAWING NO. C39033
				SHEET 1 OF 1